

CD AUTO CHANGER

KDC-CPS89

SERVICE MANUAL

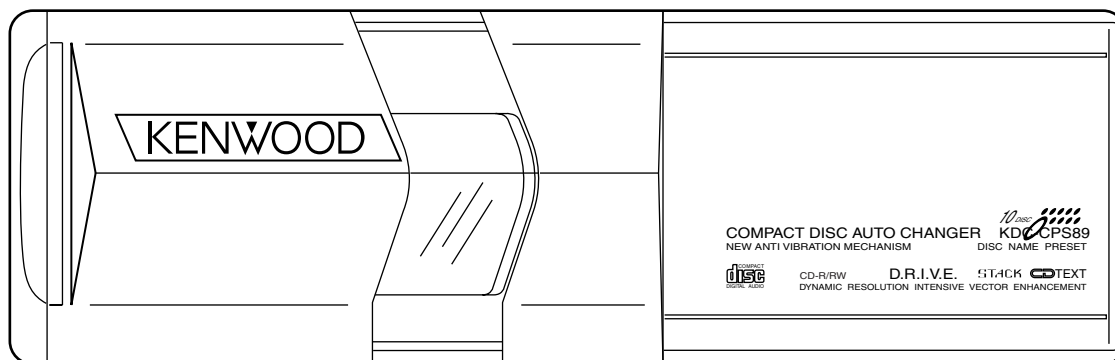
KENWOOD

© 2002-11 CREATED IN JAPAN
B51-7996-00 (C) 0

The MECHANISM OPERATION is the same as model KDC-C710.
Please refer to the service manual of model KDC-C710 (B51-7104-00).

Service jig	Parts No.
For initial position setting	W05-0635-00

When transporting this model, always attach CAUTION CARD and STEPPED SCREW (for transportation).



Refer to the Destination "E1" of service manual KDC-CPS87's parts list (B51-7730-00) except the following parts.

PARTS LIST

* New Parts

Ref.No.	A d d	N e w	Parts No.	Description
KDC-CPS89				
206	2C	*	A22-2842-02	SUB PANEL
207	3C	*	A64-2898-01	PANEL
-		*	B64-2345-00	INST.MANUAL(ENG,FRE,SPA,POR)
-		*	B64-2354-00	INST.MANUAL(GER,DUT,ITA)
-		*	H54-2597-04	ITEM CARTON CASE

CD AUTO CHANGER

KDC-CX87/CPS87

SERVICE MANUAL

KENWOOD

© 2001-1 PRINTED IN JAPAN
B51-7730-00 (N) 3387

The MECHANISM OPERATION is the same as model KDC-C710.
Please refer to the service manual of model KDC-C710 (B51-7104-00).

Service jig
For initial position setting

Parts No.
W05-0635-00

When transporting these models, always attach CAUTION CARD and STEPPED SCREW (for transportation)

Illustration is KDC-CX87.

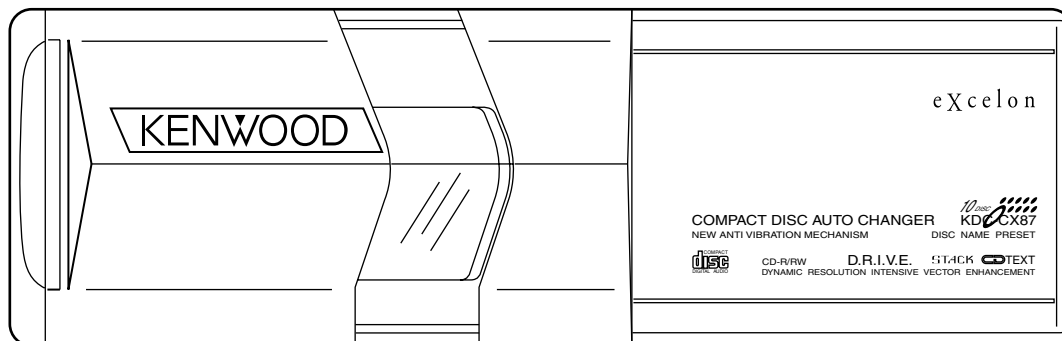
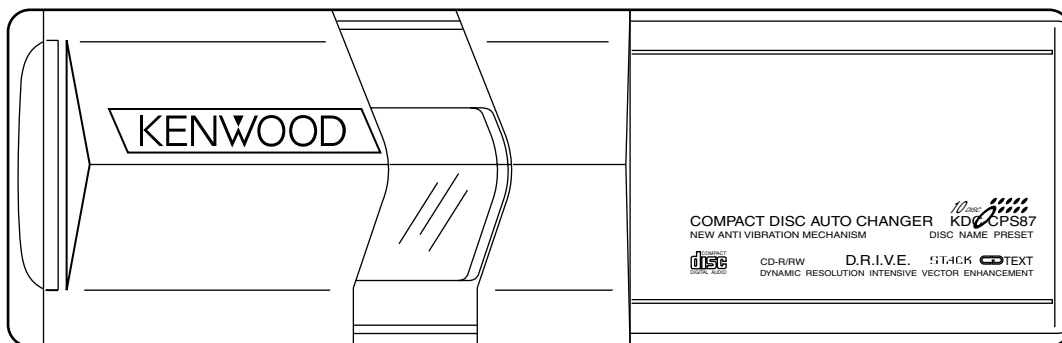
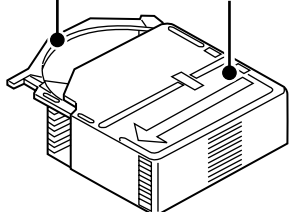


Illustration is KDC-CPS87.

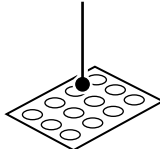


TRAY
(J99-0612-01)

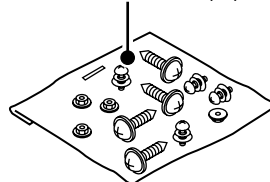
HOLDER ASSY
(J19-5074-02)



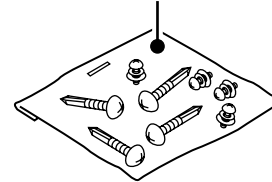
BLIND PLATE
(F19-1303-04)



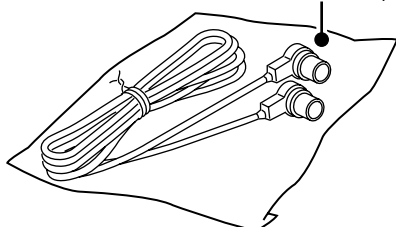
SCREW SET
(N99-1628-15)
: KDC-CPS87(M)



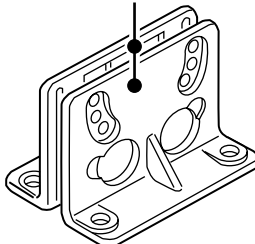
SCREW SET
(N99-1645-15)
: KDC-CX87, CPS87(E)



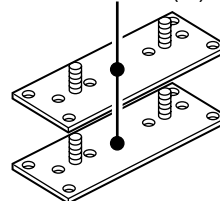
CORD WITH PLUG
(E30-4291-05
or E30-4954-05)



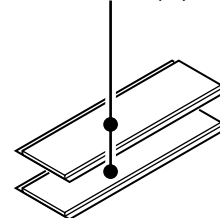
BRACKET x 2
(J19-4712-23)



MOUNTING
HARDWARE ASSY x 2
(J21-9588-04)
: KDC-CPS87(M)

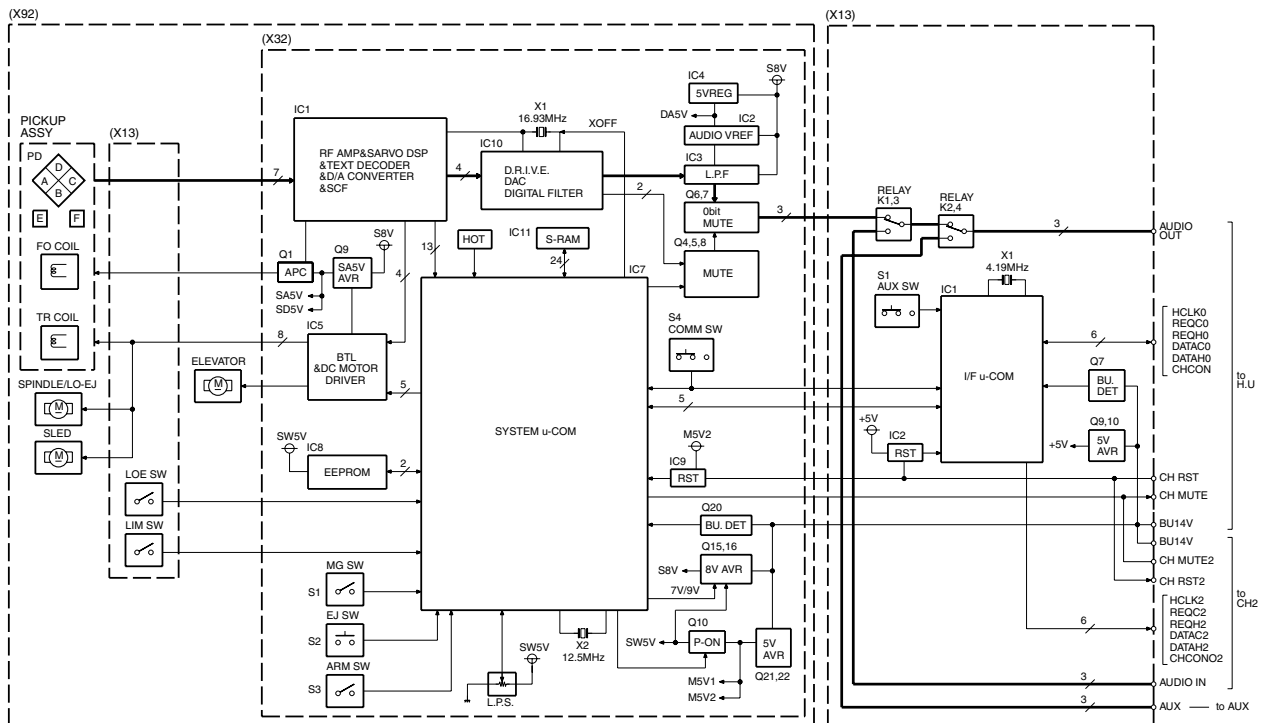
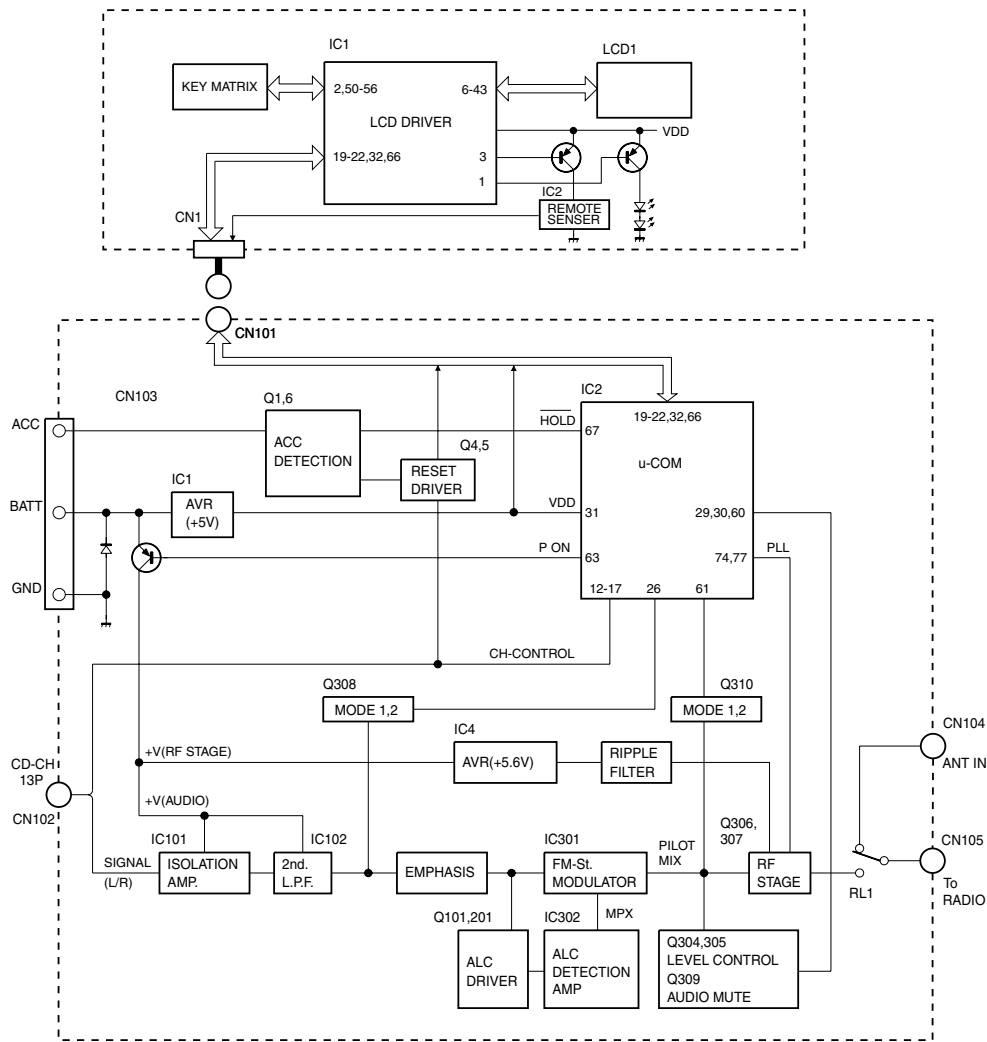


ADHESIVE TAPE x 2
(J69-0506-04)
: KDC-CPS87(M)



KDC-CX87/CPS87

BLOCK DIAGRAM



COMPONENT DESCRIPTION

●SUB-CIRCUIT UNIT (X13-9930-00)

Ref.No.	Component Name	Application/Function	Operation/Condition/Compatibility
IC1	UPD78058GCB82T	System MI-COM.	CH1/CH2/AUX control
IC2	PST9137NR	Reset IC	When BU 5V voltage is less than 3.7V, IC outputs "Lo".
Q1	DTC124EUA	Relay drive (CH1/CH2 switching)	While CD-CH1's outputs are selected, Q1's base goes "Lo", and Q3 is turned off.
Q3	DTB123YK		While CD-CH2's outputs are selected, Q1's base goes "Hi", and Q3 is turned on.
Q2	DTC124EUA	Relay drive (CH/AUX switching)	While CD-CH's outputs are selected, Q2's base goes "Lo", and Q4 is turned off.
Q4	DTB123YK		While AUX inputs are selected, Q2's base goes "Hi", and Q4 is turned on.
Q5	2SC4081	CH CON2 SW	While CH CON2 mode is selected, a base goes "Hi", and Q5 is turned on.
Q6	2SC4081	CH CON SW	While CH CON or CH CON2 mode is selected, a base goes "Hi", and Q6 is turned on.
Q7	DTC124EUA	BU DETECTION SW	While BACKUP is applied, a base goes "Hi", and Q7 is turned on. When momentary power down has detected, a base goes "Lo", and Q7 is turned off.
Q8	DTC124EUA	Reset SW	When System Reset has activated, a base goes "Hi", and Q8 is turned on.
Q9	2SB1202	BU 5V AVR	While BACKUP is applied, AVR outputs +5V.
Q10	2SC4081		Q9 and Q10 are inverted Darlington connection

●CD PLAYER UNIT (X32-5160-00)

Ref.No.	Component Name	Application/Function	Operation/Condition/Compatibility
IC1	UPD63711AGC	Servo IC	RF amplifier built in digital servo and data processor IC. Focusing, tracking, sled and spindle servo processing. Detection of dropout, anti-shock, track crossing and off-track conditions. Automatic adjustment (focusing, tracking, gain, offset and balance) operations. Digital signal processing (DSP, PLL, sub-codes, CD-TEXT decode, CIRC error correction, audio data interpolation) operations.
IC2	NJM4580MD	VREF amp.	Operational reference voltage for low pass filter
IC3	NJM5532MD	Low pass filter	Differential amplifier
IC4	KIA78L05F	+5V AVR	Analogue output circuit power supply for D/A converter
IC5	LA6576	Motor driver	Focusing coil, tracking coil, spindle motor and sled motor driver. VO1-VO4 and VOL outputs ON/OFF function While MUTE1 goes "Hi", VO1 outputs are turned on. While MUTE2 goes "Hi", VO2-VO4 and VOL outputs are turned on. VIN1 amplifier function (input selection and VREF selection) 1. Input selection While VIN SW terminal goes "Lo", IC pin 15, 16 and 17 inputs are selected. While VIN SW terminal goes "Hi", IC pin 15, 18 and 19 inputs are selected. 2. VREF selection While VIN SW terminal goes "Lo", internal VREF (2.5V typical) is selected. While VIN SW terminal goes "Hi", external VREF (IC pin 30 input) is selected.

KDC-CX87/CPS87

COMPONENTS DESCRIPTION

Ref.No.	Component Name	Application/Function	Operation/Condition/Compatibility
IC7	UPD784214GC091	Mechanism MI-COM.	Mechanism and servo control
IC8	BR24C02F-W or CAT24WC02JI or M24C02WMN6T or S-24C02BFJA or 24LC02BT-ISN	EEPROM	LPS data back-up memory
IC9	S-80830ANNP	Reset IC	When BU 5V voltage is less than 3.0V, IC outputs "Lo".
IC10	KKZ05F	D.R.I.V.E. IC	D.R.I.V.E. system IC
IC11	LC3564BT-70	S RAM	CD-TEXT data memory
Q1	MCH6101	APC	Laser diode auto power control
Q4	DTA124EK	0 bit mute (L CH.)	When 0 bit mute is activated, an emitter goes "Hi", and Q4 outputs "Hi".
Q5	DTA124EUA	0 bit mute (R CH.)	When 0 bit mute is activated, an emitter goes "Hi", and Q5 outputs "Hi".
Q6	DTC343TK	Mute SW (L CH.)	When 0 bit mute or A mute drive is activated, a base goes "Hi", and L channel audio signal is muted.
Q7	DTC343TK	Mute SW (R CH.)	When 0 bit mute or A mute drive is activated, a base goes "Hi", and R channel audio signal is muted.
Q8	DTA124EK	A mute drive	When audio mute of IC7 is activated, a base goes "Lo", and audio mute drive signal is outputted.
Q9	2SB1202	Servo 5V AVR	Q9 is combined with IC5's pin 26 and 27 , and works as a driver of AVR.
Q10	2SB1295	P-ON 5V SW	While base goes "Lo", P-ON 5V is supplied to the microprocessor peripheral circuits.
Q11	DTC124EK	Reset SW	When System Reset has activated, a base goes "Hi", and Q11 is turned on.
Q12	DTC124EUA	XTALEN SW	While D.R.I.V.E. IC is operating, a base goes "Lo", and Q12 is turned off.
Q13	DTC124EUA	CH CON SW	While CH CON or CH-CON2 mode is selected, a base goes "Hi", and Q13 is turned on.
Q14	DTA143EUA	CH MUTE SW	When MUTE REQUEST to H/U is outputted, a base goes "Lo", and Q14 is turned on.
Q16	2SC4081	SRV 8V AVR	Q16 is combined with Q15 (X92-), and works as a pre-driver of AVR.
Q17	DTA143EK	SRV 8V AVR SW	When Q18's base goes "Hi", Q17 is turned on, and SVR 8V AVR is working.
Q18	DTC124EUA		
Q19	DTC124EUA	7/9V SW	When a base goes "Hi", Q19 is turned on, and SVR 8V AVR is outputting +7V. When a base goes "Lo", Q19 is turned off, and SVR 8V AVR is outputting +8.5V.
Q20	DTC124EK	BU DETECTION SW	While BACKUP is applied, a base goes "Hi", and Q20 is turned on. When momentary power down has detected, a base goes "Lo", and Q20 is turned off.
Q21	2SB1202	BU 5V AVR	While BACKUP is applied, AVR outputs +5V. Q21 and Q22 are inverted Darlington connection.
Q22	2SC4081		
Q30	DTC114YUA	Eccentric disc SW	When an eccentric disc is detected, Q30 is turned on, and a preceding beam is made to be delayed.
Q31	DTC124EUA	VIN SW	While spindle servo or disc loading/eject mode is selected, a base goes "Hi", and Q31 is turned on.

MICROCOMPUTER'S TERMINAL DESCRIPTION

●IC1 (SUB-CIRCUIT UNIT: X13-9930-00)

Pin No.	Pin Name	I/O	Description	Processing Operation
1 - 3		O		Not used(N.C.)
4	AVSS	-	A/D, D/A converter ground connection terminal	
5		O		Not used(N.C.)
6	REQH1	O	Communication request output to CH1	"Lo" : Communication requested
7	AVREF1	I	D/A converter reference voltage input	
8	DATA1	I	Data input from CH1	
9	DATAH1	O	Data output to CH1	
10	HCLK1	I/O	Communication clock input/output with CH1	
11	DATAH0	I	Data input from H/U	
12	DATA0	O	Data output to H/U	
13	HCLK0	I/O	Communication clock input/output with H/U	
14	REQC0	O	Communication request output to H/U	"Lo" : Communication requested
15	REQH2	O	Communication request output to CH2	"Lo" : Communication requested
16	DATA2	I	Data input from CH2	
17	DATAH2	O	Data output to CH2	
18	HCLK2	I/O	communication clock input/output with CH2	
19	CHCON01	O	Control output to CH1	"Hi" : CH1 operation mode
20	CHCON02	O	Control output to CH2	"Hi" : CH2 operation mode
21	RELAY1	O	Relay1 Control output	"Hi" : AUX inputs, "Lo" : Changer outputs
22	RELAY2	O	Relay2 Control output	"Hi" : CH2 outputs, "Lo" : CH1 outputs
23-32		O		Not used(N.C.)
33	VSS	-	Ground connection terminal	Connected to GND lines.
34-59		O		Not used(N.C.)
60	RESET	I	System reset	"Lo" : System reset
61	REQC2	I	Communication request input from CH2	"Lo" : Communication requested
62	BUDET	I	Momentary power down detection input	"Hi" : When momentary power down detected or BU OFF "Lo" : BU ON
63	AUX SW	I	AUX SW input	"Hi" : Auxiliary input mode
64	REQH0	I	Communication request input form H/U	"Lo" : Communication requested
65	REQC1	I	Communication request input form CH1	"Lo" : Communication requested
66	CHCON1	I	Changer control mode input from H/U	"Lo" : CH1 mode
67	COMMSW	I	5-line communication old/new switch input	"Hi" : New communication, "Lo" : Old communication
68	VDD	-	Positive power supply connection terminal	Connected to BU 5V lines.
69	X2	-	Main clock resonator connection terminal 2	
70	X1	I	Main clock resonator connection terminal 1	
71	IC	-	IC Internal connection terminal	Connected to GND lines.
72		O		Not used(N.C.)
73	CHCON2	I	Changer control mode input from H/U	"Lo" : CH2 mode
74	AVDD	-	A/D converter positive power supply connection terminal	Connected to BU 5V lines.
75	AVREF0	I	A/D converter reference voltage input	Connected to BU 5V lines.
76		O		Not used(N.C.)
77	AUX TYPE	O		Not used(pull down to GND lines.)
78-80		O		Not used(N.C.)

KDC-CX87/CPS87

MICROCOMPUTER'S TERMINAL DESCRIPTION

●IC7 (CD PLAYER UNIT : X32-5160-00)

Pin No.	Pin Name	I/O	Description	Processing Operation
1	NOR/RW	O	CD-DA/CD-RW Switching	Not used(N.C.)
2	TSTB	O	CD-TEXT parameter strobe	
3	P-CON	O	P-CON output	Not used(N.C.)
4	FOK	I	Focus OK input	"Hi" : Focus OK
5	XTALEN	O	Servo IC oscillation stop control	"Hi" : Oscillation stop
6	RST	O	Servo IC reset terminal	"Lo" : Reset
7	SAO	O	Servo IC command/parameter setting terminal	"Hi" : Parameter setting, "Lo" : Address register setting
8	SSTB	O	Servo IC command/parameter setting strobe terminal	"Hi"→"Lo" : Serial data latch
9	VDD	-	Positive power supply connection terminal	Connected to D 5V lines.
10	X2	-	Main clock resonator connection terminal 2	
11	X1	I	Main clock resonator connection terminal 1	
12	VSS	-	Ground connection terminal	Connected to GND lines.
13	XT2	-	Sub clock resonator connection terminal 2	Not used(N.C.)
14	XT1	I	Sub clock resonator connection terminal 1	Not used(connected to GND lines.)
15	RESET	I	System reset input	"Lo" : System reset
16	FOGUP	I	Vibration detect input	"Hi" : Vibration detect
17	MGSW	I	Magazine switch input	"Hi" : Magazine in
18	EJSW	I	Eject switch input	"Hi" : Eject switch ON
19	COMMSW	I	5-line communication old/new switch input	"Hi" : New communication, "Lo" : Old communication
20	PACK	I	Text data pack synchronous signal input	"Hi"→"Lo" : The head of the pack data
21	CH-CON	I	Changer control input	"Hi" : Standby mode, "Lo" : Operation mode
22	BUDET	I	Momentary power down detection input	"Hi" : When momentary power down detected or BU OFF "Lo" : BU ON
23	AVDD	-	A/D converter positive power supply connection terminal	Connected to D 5V lines.
24	AVREF0	I	A/D converter reference voltage input	Connected to PON 5V lines.
25	HOT	I	Rise in temperature detection input	
26	LPS	I	LPS Mechanical deck position detection input	
27	LOESW	I	Loading complete switch input	"Lo" : Loading complete
28	LIMSW	I	Limit switch input	"Lo" : Pickup most inner position
29	TOFF	I	Tracking OFF mode terminal	Not used(pull down to GND lines.)
30	ADJSEL	I	Servo automatic adjustment ON/OFF terminal	Not used(pull down to GND lines.)
31	TBANK	I	Tracking gain switching mode terminal	Not used(pull down to GND lines.)
32	SIM2	I	Destination input 2	Not used(pull down to GND lines.)
33	AVSS	-	A/D, D/A converter ground connection terminal	Connected to GND lines.
34	LPSCO	O	LPS A/D converter reference power control output	Not used(N.C.)
35	AMUTE	O	Audio mute output	"Lo" : Audio mute ON
36	AVREF1	I	D/A converter reference voltage input	Connected to D 5V lines.
37	SDI	I	Servo IC communication serial data input	
38	SDO	O	Servo IC communication serial data output	
39	SCK	O	Servo IC communication serial clock output	
40	DATAH	I	Data input from H/U	
41	DATAC	O	Data output from the changer	
42	HCLK	I/O	Communication clock input/output with H/U	

MICROCOMPUTER'S TERMINAL DESCRIPTION

Pin No.	Pin Name	I/O	Description	Processing Operation
43	RECQC	O	Communication request to H/U	"Lo" : Communication requested
44	CHMUTE	O	Audio mute request to H/U	"Lo" : Audio mute requested
45	TSI	I	Text data input from servo IC	
46	TSO	O	Text data output to servo IC	
47	T $\overline{\text{SCK}}$	O	Text data clock to servo IC	
48-55	A0-A7	O	Address setting terminal for S RAM	
56-63	D0-D7	I/O	Data input/output terminal with S RAM	
64-68	A8-A12	O	Address setting terminal for S RAM	
69-71	A13-A15	O	Chip enable setting terminal for S RAM	Not used(pull down to GND lines.)
72	VSS	-	Ground connection terminal	Connected to GND lines.
73	A16	O	Chip enable setting terminal for S RAM	Not used(pull down to GND lines.)
74	A17	O	Chip enable setting terminal for S RAM	
75	RAMOK	O	Pickup check judging terminal for production	Not used(N.C.)
76	ELVADJ	I	Mechanism deck ascent/descent position terminal	Not used(pull up to D 5V lines.)
77	RD	O	Read-out to S RAM control output	
78	WR	O	Write to S RAM control output	
79	WAIT	I	Waiting time insertion input when accessing S RAM	Not used(pull down to GND lines.)
80	ASTB	O	Chip selection to S RAM	Not used(N.C.)
81	VDD	-	Positive power supply connection terminal	Connected to D 5V lines.
82	PUSEL	I	Pickup type select terminal	Not used(pull up to D 5V lines.)
83	REQH	I	Communication request from H/U	"Lo" : Communication requested
84	SPLO+	O	Spindle/Loading control terminal	
85	SPLO-	O	Spindle/Loading control terminal	
86	ELV+	O	Mechanism deck ascent/descent terminal	
87	ELV-	O	Mechanism deck ascent/descent terminal	
88	SIM1	I	Destination input 1	"Hi" : adapted for CD-TEXT "Lo" : not adapted for CD-TEXT
89	SEARCH	O	Search mode output	Not used(N.C.)
90	TEST1	I	Test mode terminal 1 for test mode	Not used(pull down to GND lines.)
91	TEST2	I	Test mode terminal 2 for test mode	Not used(pull down to GND lines.)
92	8/7V	O	Motor driver IC power voltage control output	"Hi" : 7V, "Lo" : 8.5V
93	EEPWR	I	EEPROM write mode terminal for production	Not used(pull down to GND lines.)
94	TEST/VPP	I	Flash ROM program mode terminal	Not used(connected to GND lines.)
95	SRVSEL	I	Servo active mode terminal (no mechanism movement)	Not used(pull down to GND lines.)
96	SLNSA	I	Sled non-sensitive area ON/OFF terminal	Not used(pull down to GND lines.)
97	SDA	I/O	Data input/output with EEPROM	
98	SCL	O	Clock output to EEPROM	
99	PON	O	PON output	"Lo" : AVR & LPS POWER ON
100	ARMSW	I	Arm switch input	"Hi" : Arm switch ON

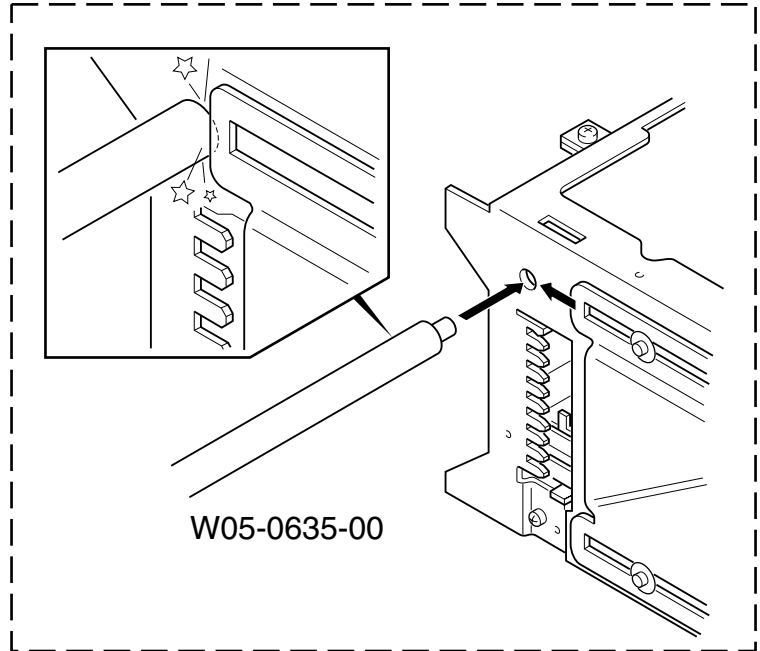
KDC-CX87/CPS87

ADJUSTMENT

L.P.S. initial position adjustment procedure

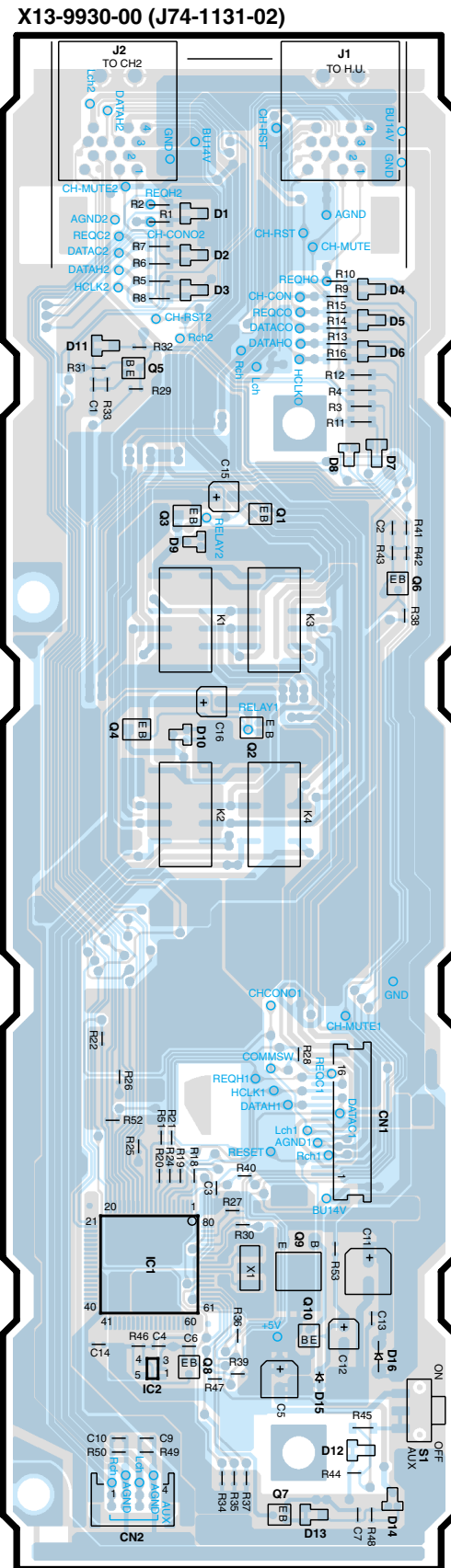
1. Connect the changer to the H/U.
2. While holding the magazine eject button of the changer, press the reset button of the H/U.
3. After about 3 seconds, release the magazine eject button.
4. Press the SRC button of the H/U to enter the CD-CH mode, and the H/U's display section indicates "E-88".
5. Move the mechanism deck to around the 1st stage by pressing the DISC- or DISC+ button.
6. Insert the adjustment tool (W05-0635-00) into the tool hole on the changer mechanism.
7. Then press the DISC+ button to move the mechanism deck until the mechanism's slider hits the adjustment tool.
8. When the motor locks (stops), press the REPEAT key of the H/U.

When the REPEAT key is pressed, the mechanism moves automatically to the 1st stage and the initial position adjustment completes. (The data is written in the EEPROM at this time.)



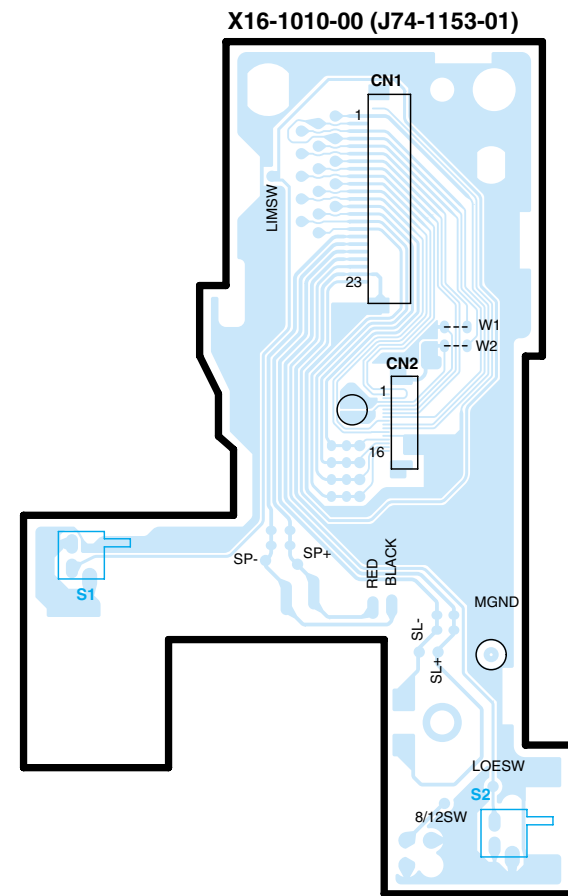
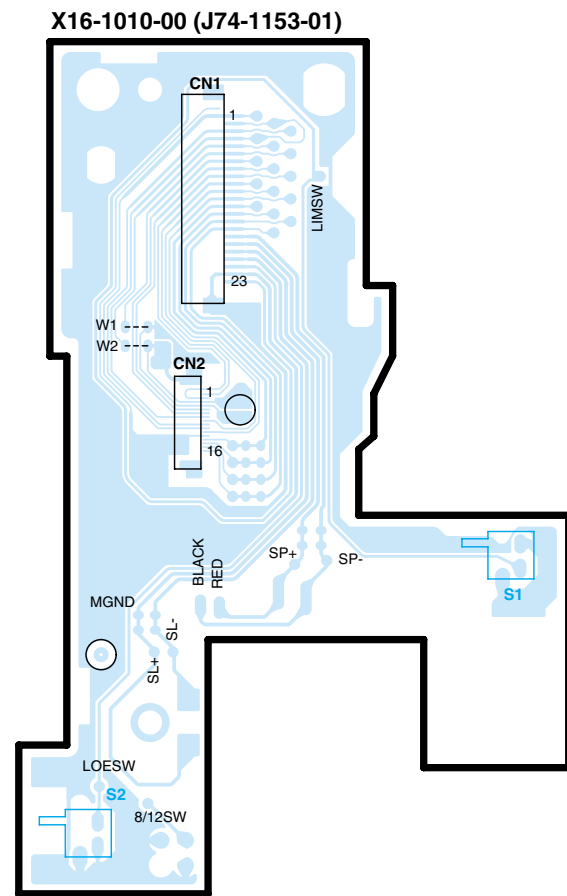
PC BOARD (COMPONENT SIDE VIEW)

(FOIL SIDE VIEW)



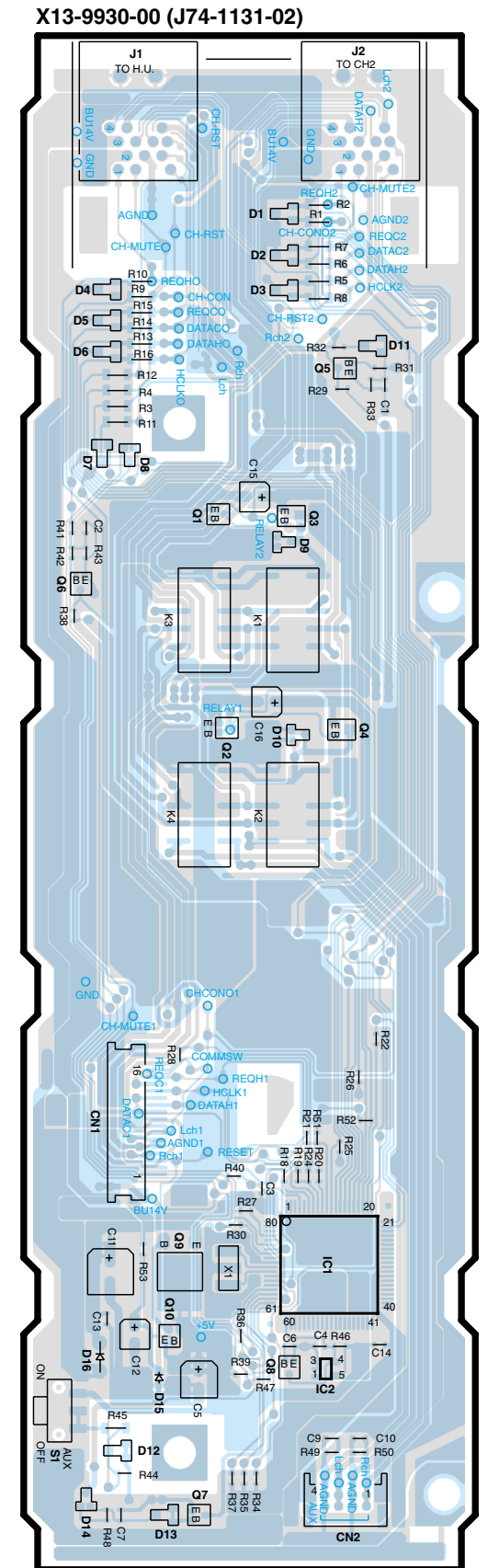
X13-9930-00

IC	Q	
1	2	6A
1	1	6A
2	1	3B
3	1	4B
4	1	3A
4	1	4A
5	1	3A
6	1	3B
7	1	7B
8	1	6B
9	1	6B
10	1	6B



X13-9930-00

IC	Q	
1	2	6I
1	1	6I
2	1	3I
3	1	4I
4	1	3I
4	1	4J
5	1	3I
6	1	3I
7	1	7I
8	1	6I
9	1	6I
10	1	6I

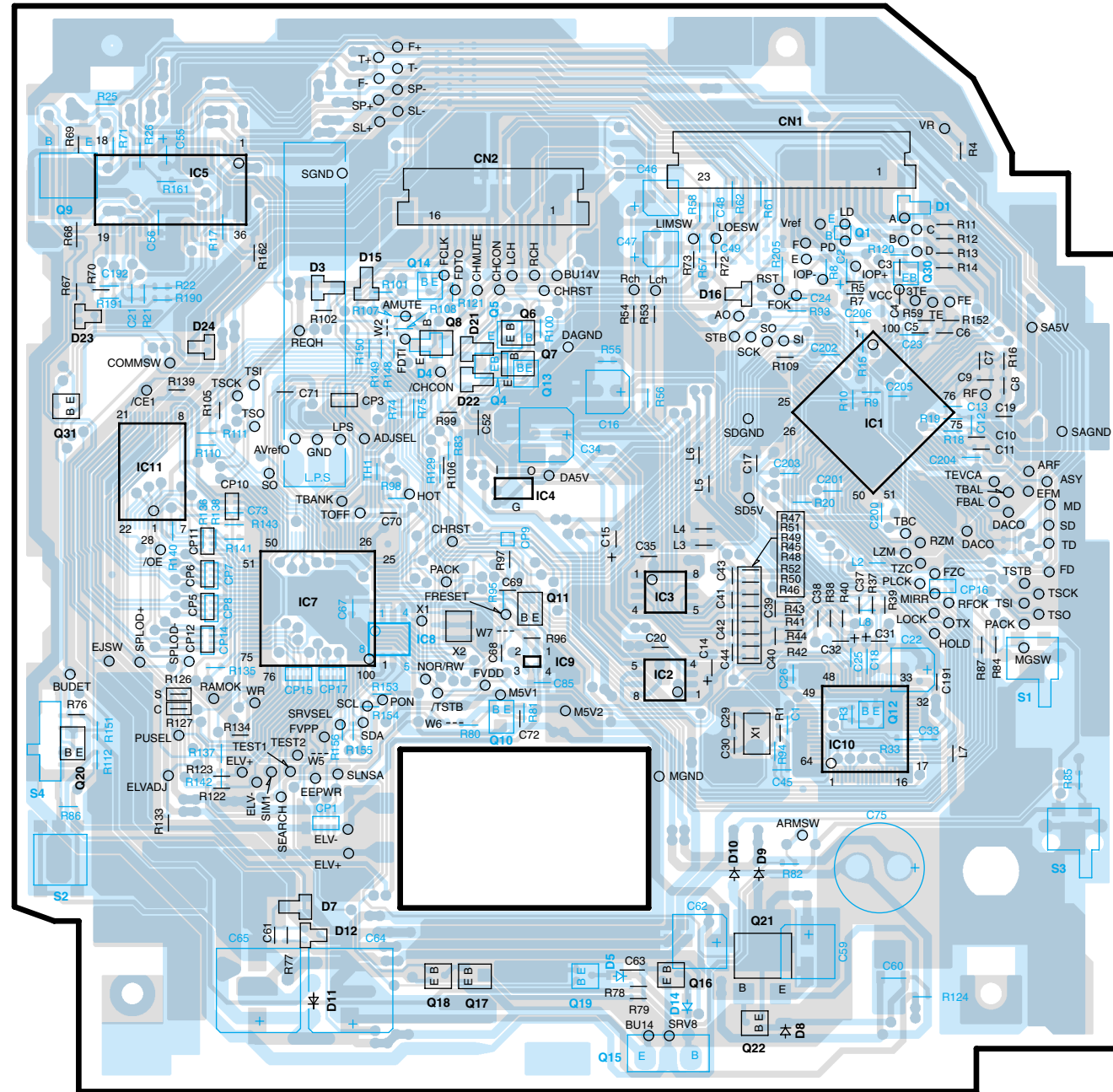


Refer to the schematic diagram for the values of resistors and capacitors.

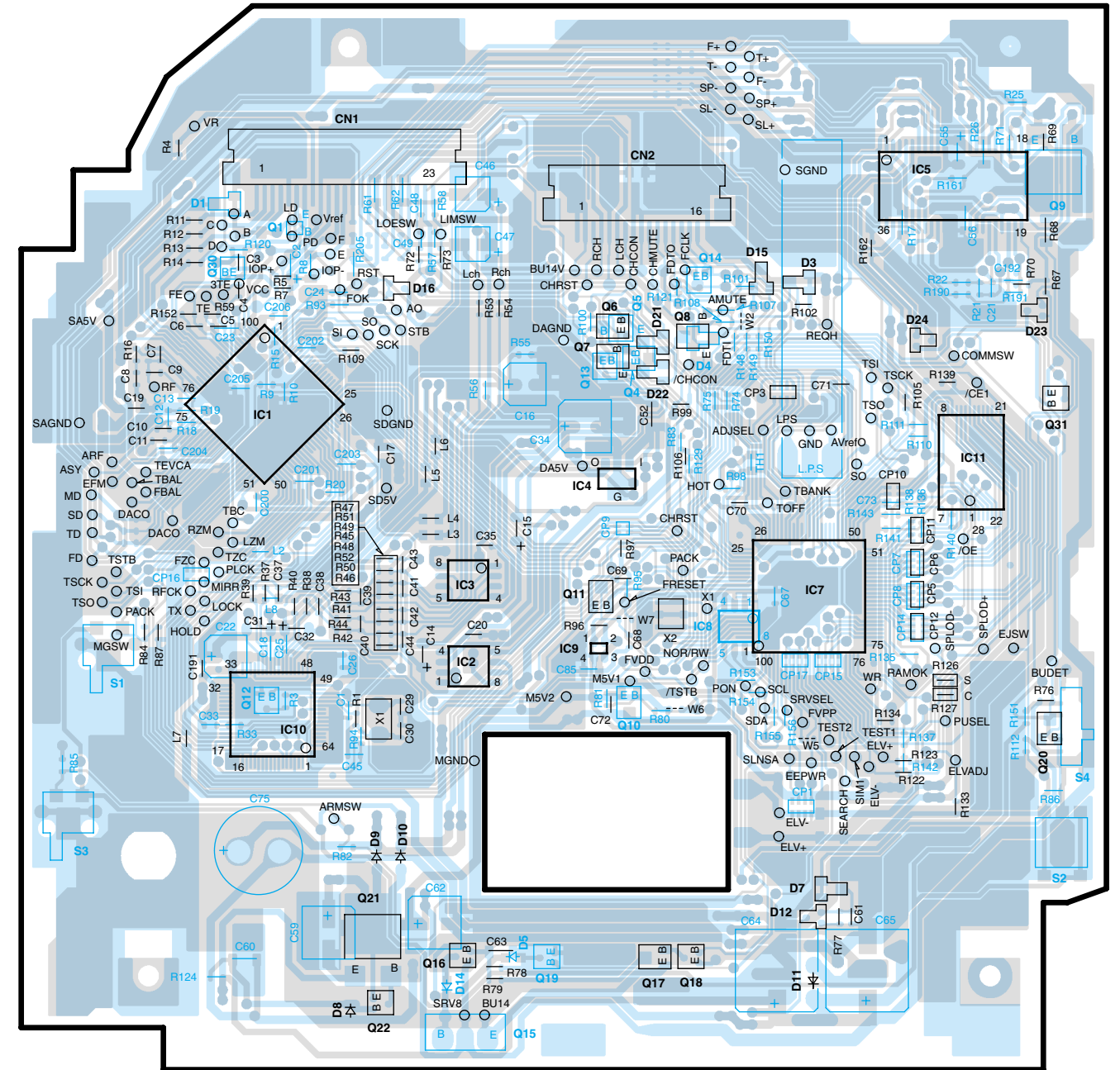
PC BOARD (COMPONENT SIDE VIEW)

(FOIL SIDE VIEW)

X32-5160-00 (J74-1130-11)



X32-5160-00 (J74-1130-11)



X32-5160-00

IC	1	2	3	4	5	7	8	9	10	11																					
Q											1	4	5	6	7	8	9	10	11	12	13	14	16	17	18	19	20	21	22	30	31
address	3N	4M	4M	4M	2K	4L	4L	4M	4N	3K	2N	3M	3M	3M	3M	3L	2K	4M	4M	4N	3M	3L	5M	5M	5L	5M	5K	5N	6N	3N	3K

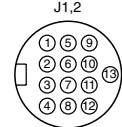
X32-5160-00

IC	1	2	3	4	5	7	8	9	10	11																					
Q											1	4	5	6	7	8	9	10	11	12	13	14	16	17	18	19	20	21	22	30	31
address	3Q	4R	4R	4R	2T	4S	4S	4R	4Q	3T	2Q	3R	3R	3R	3R	3S	2T	4R	4R	4Q	3R	3S	5R	5R	5S	5R	5T	5Q	6Q	3Q	3T

- IC1 : UPD78058GCB82T
 IC2 : PST9137NR
- Q1,2,7,8 : DTC124EUA
 Q3,4 : DTB123YK
 Q5,6,10 : 2SC4081
 Q9 : 2SB1202
- D1-6 : MA3056WA
 D7 : DAP202K
 D8-10 : DAN202U
 D11 : MA3062-L
 D12,13 : MA3056-M
 D14 : DA204U
 D15 : MA8056-M
 D16 : 1SR154-400

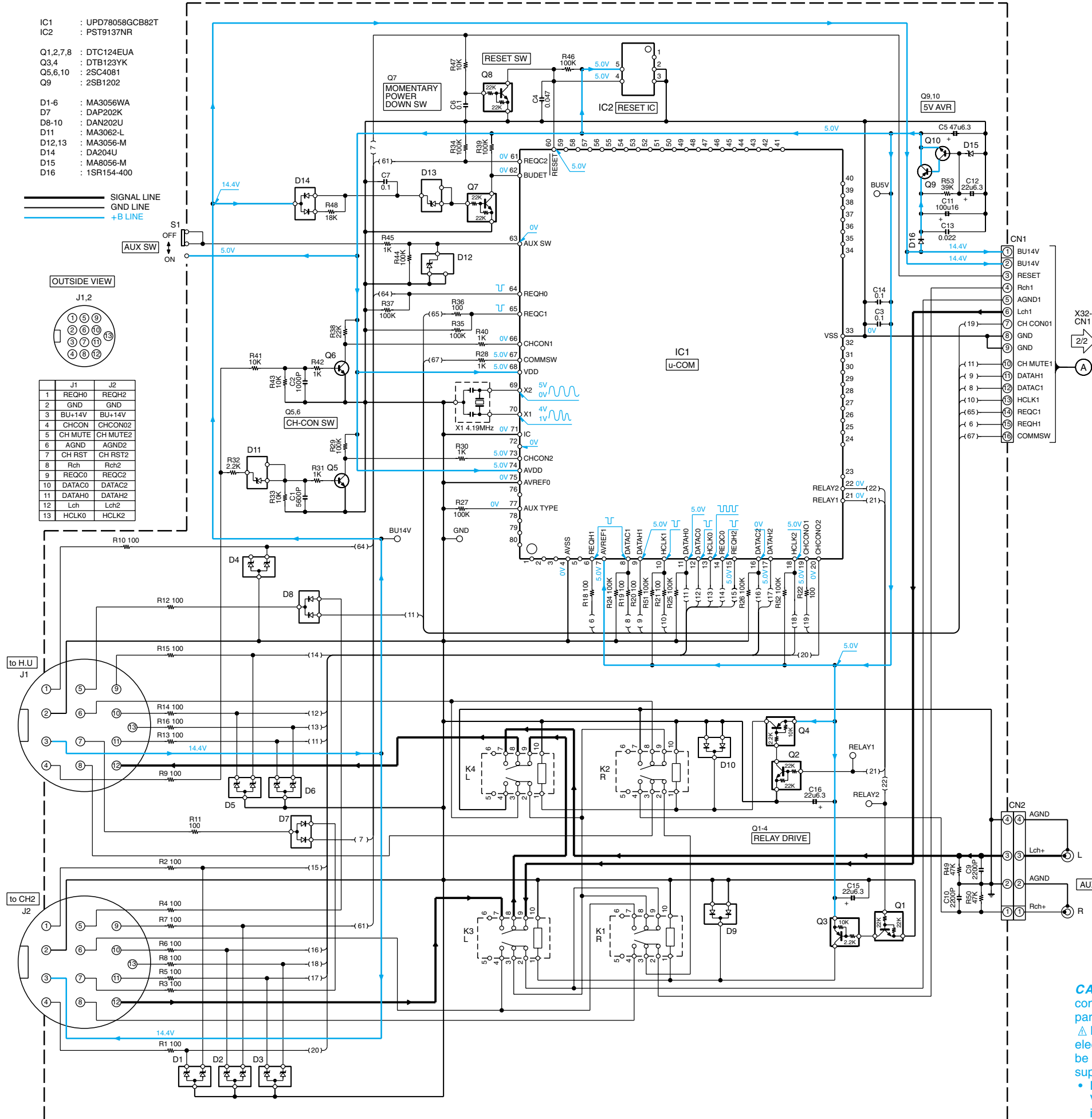
SIGNAL LINE
 GND LINE
 +B LINE

OUTSIDE VIEW

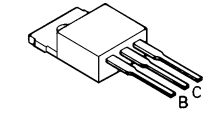


J1	J2
1	REQH0
2	GND
3	BU+14V
4	CHCON
5	CH MUTE
6	AGND
7	CH RST
8	Rch
9	REOC0
10	DATA0
11	DATAH0
12	Lch
13	HCLK0

(X13-9930-00)

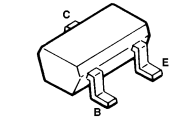


2SB1565

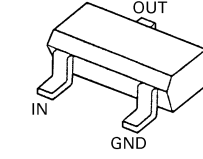


DTA124EK DTC124E
 DTA143EK K
 DTB123YK DTC343T
 DTC114YUA K

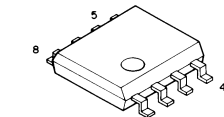
2SC4081



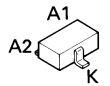
DTA124EUA
 DTA143EUA
 DTC124EUA



NJM5532MD



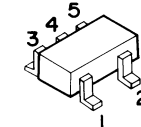
DAN202K
 DAN202U



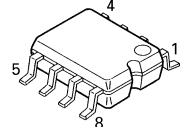
DAP202K
 DAP202U
 DA204U



PST9137NR



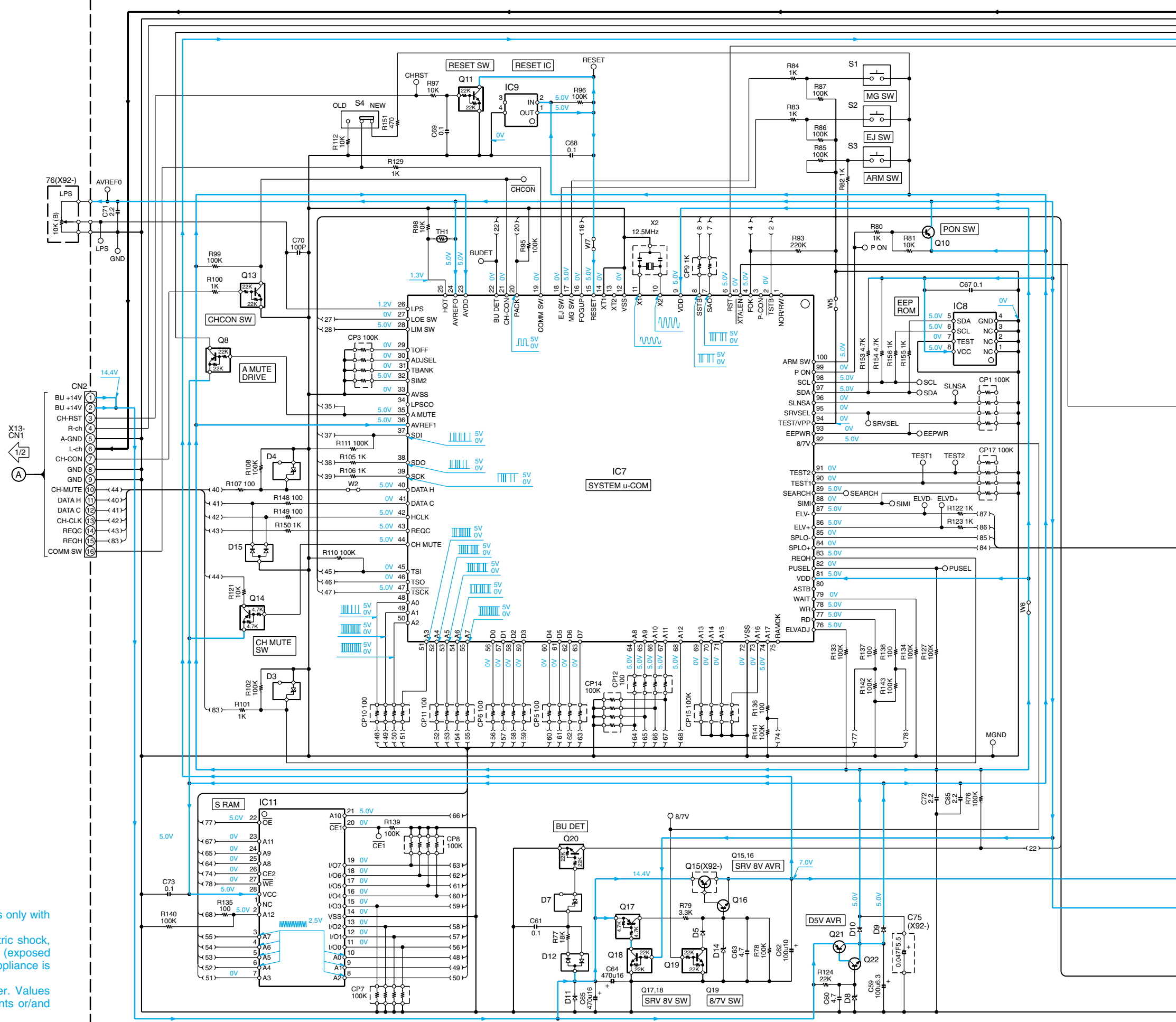
BR24C02F-W



CAUTION : For continued safety, replace safety critical components only with manufacturer's recommended parts (refer to parts list).

⚠ Indicates safety critical components. To reduce the risk of electric shock, leakage-current or resistance measurements shall be carried out (exposed parts are acceptably insulated from the supply circuit) before the appliance is returned to the customer.

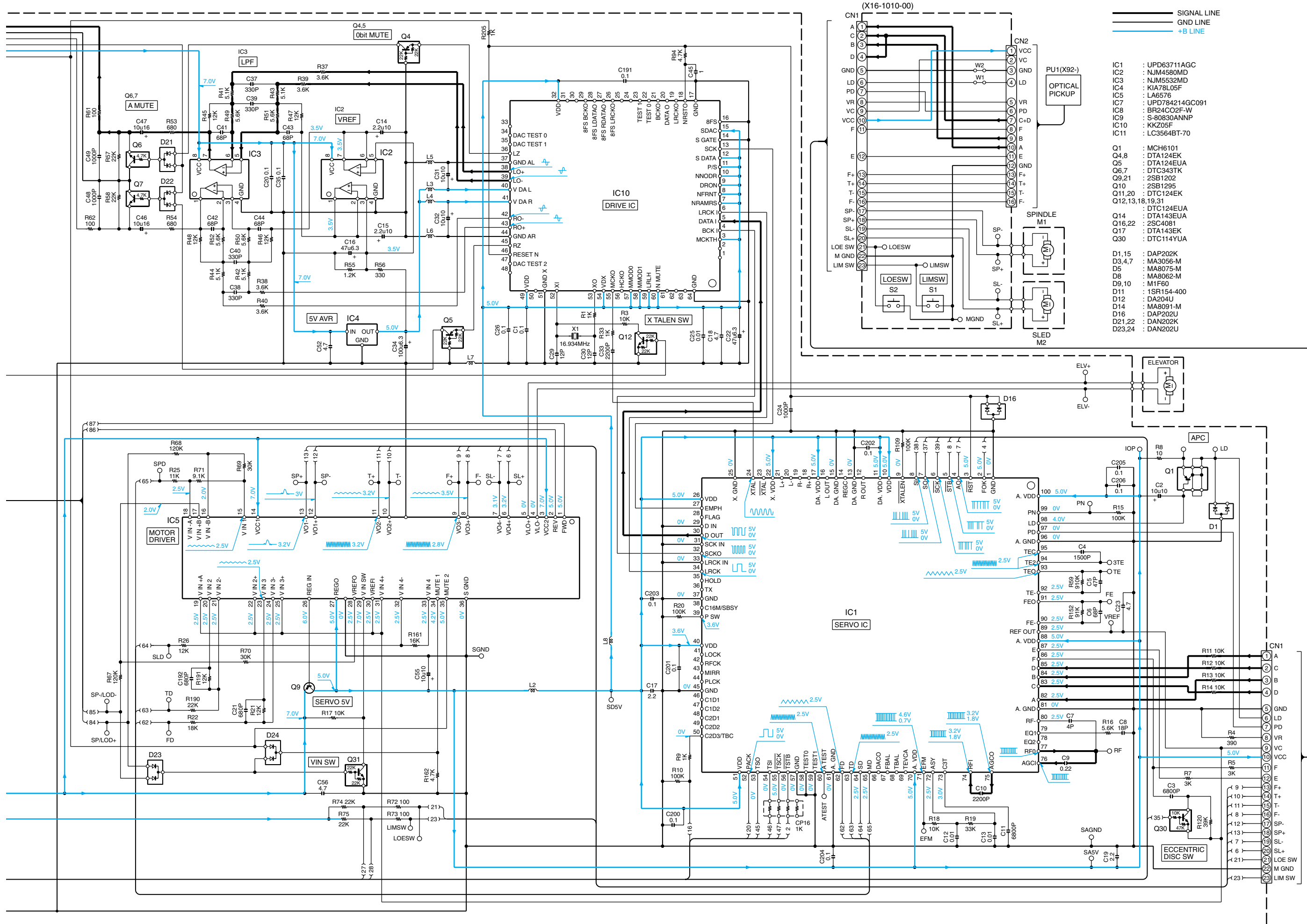
- DC voltages are as measured with a high impedance voltmeter. Values may vary slightly due to variations between individual instruments or/and units.



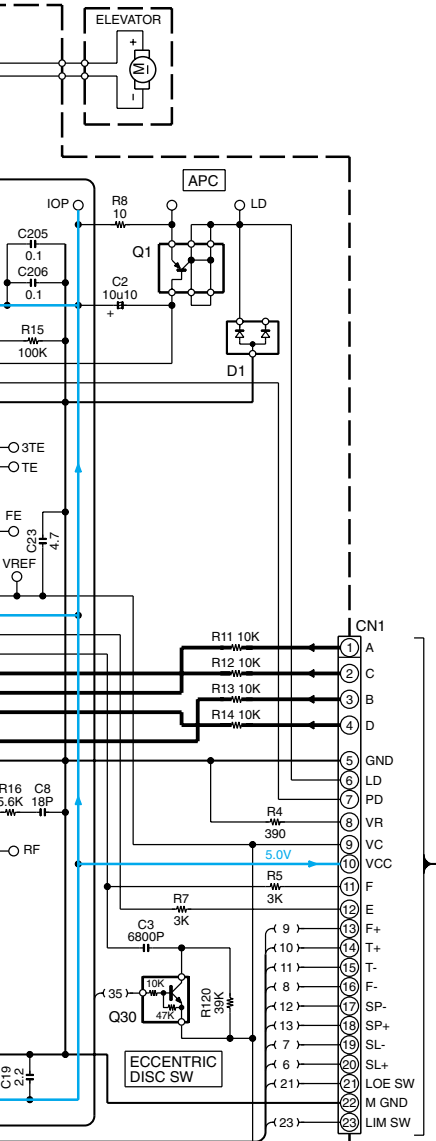
CAUTION: For continued safety, replace safety critical components only with manufacturer's recommended parts (refer to parts list).

▲ Indicates safety critical components. To reduce the risk of electric shock, leakage-current or resistance measurements shall be carried out (exposed parts are acceptably insulated from the supply circuit) before the appliance is returned to the customer.

- DC voltages are as measured with a high impedance voltmeter. Values may vary slightly due to variations between individual instruments or/and units.



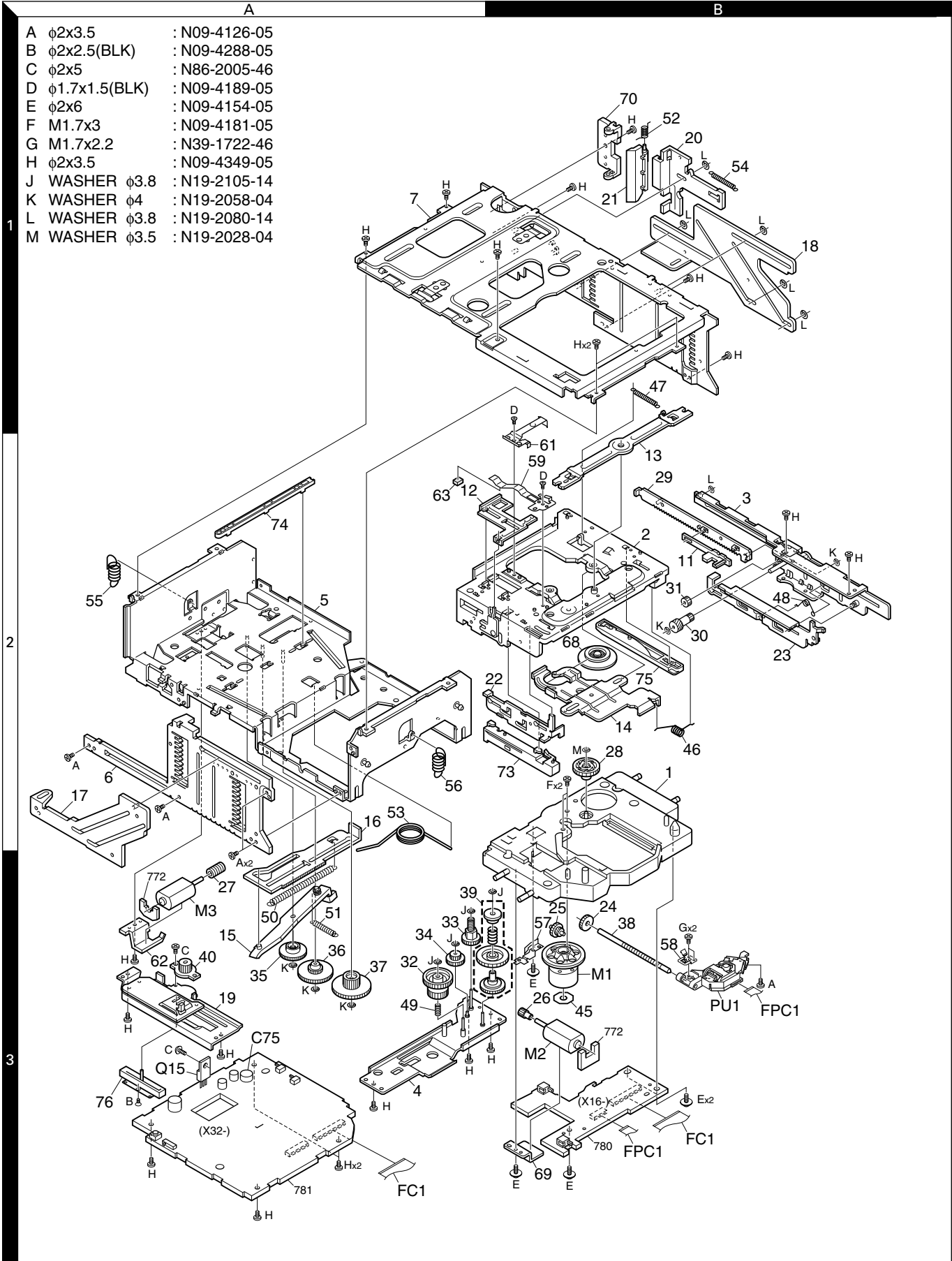
- SIGNAL LINE**
GND LINE
+B LINE
- | | |
|------|------------------|
| IC1 | : UPD63711AGC |
| IC2 | : NJM4580MD |
| IC3 | : NJM5532MD |
| IC4 | : KIA78L05F |
| IC5 | : LA6576 |
| IC7 | : UPD784214GC091 |
| IC8 | : BR24CO2F-W |
| IC9 | : S-80830ANNP |
| IC10 | : KKZ05F |
| IC11 | : LC3564BT-70 |
-
- | | |
|-----------------|-------------|
| Q1 | : MCH6101 |
| Q4.8 | : DTA124EK |
| Q5 | : DTA124EUA |
| Q6.7 | : DTC343TK |
| Q9.21 | : 2SB1202 |
| Q10 | : 2SB1295 |
| Q11,20 | : DTC124EK |
| Q12,13,18,19,31 | : DTC124EUA |
| Q14 | : DTA143EUA |
| Q16,22 | : 2SC4081 |
| Q17 | : DTA143EK |
| Q30 | : DTC114YUA |
-
- | | |
|--------|--------------|
| D1,15 | : DAP202K |
| D3,4,7 | : MA3056-M |
| D5 | : MA8075-M |
| D8 | : MA8062-M |
| D9,10 | : M1F60 |
| D11 | : 1SR154-400 |
| D12 | : DA204U |
| D14 | : MA8091-M |
| D16 | : DAP202U |
| D21,22 | : DAN202K |
| D23,24 | : DAN202U |



KDC-CX87/CPS87

EXPLODED VIEW (MECHANISM)

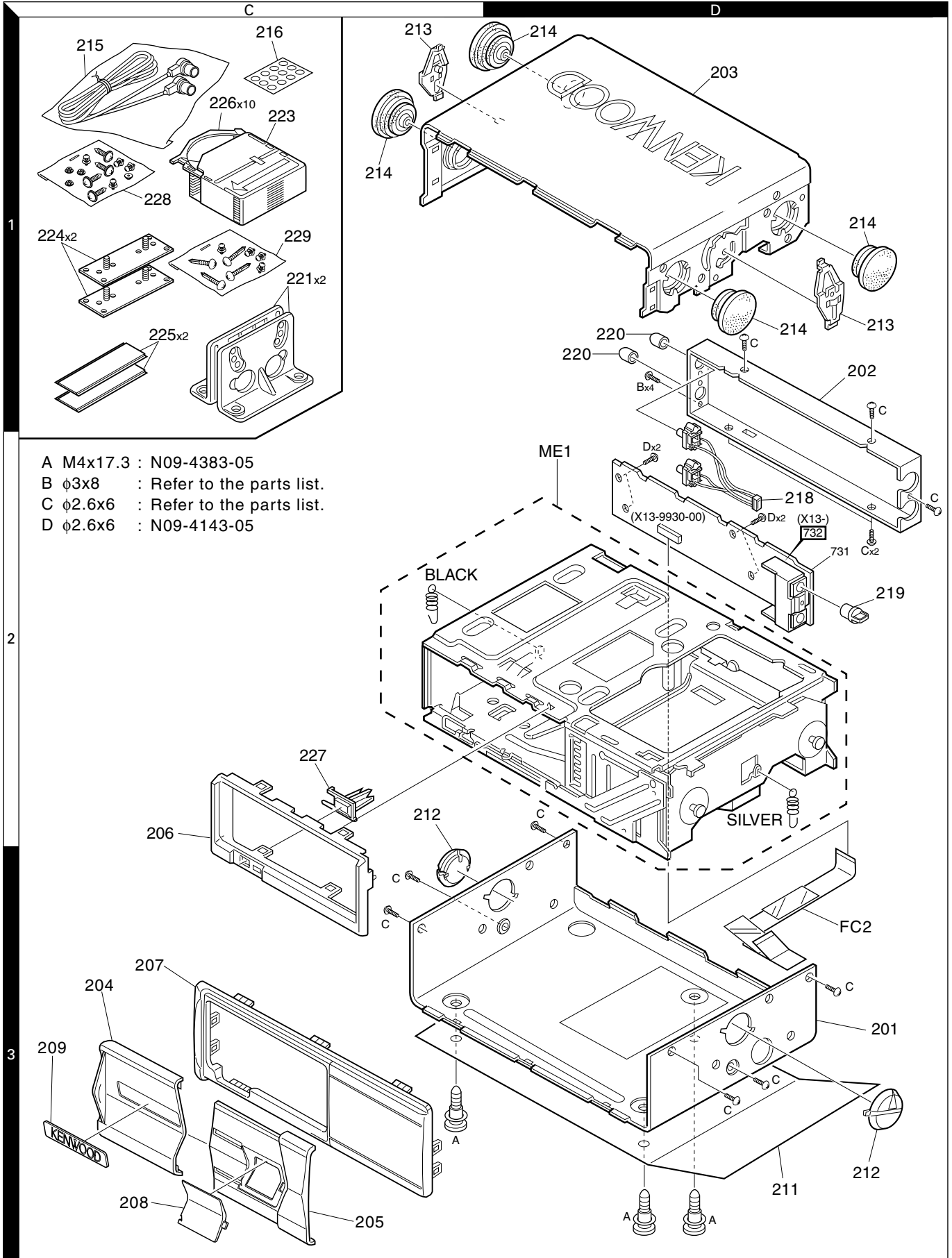
A	φ2x3.5	:	N09-4126-05
B	φ2x2.5(BLK)	:	N09-4288-05
C	φ2x5	:	N86-2005-46
D	φ1.7x1.5(BLK)	:	N09-4189-05
E	φ2x6	:	N09-4154-05
F	M1.7x3	:	N09-4181-05
G	M1.7x2.2	:	N39-1722-46
H	φ2x3.5	:	N09-4349-05
J	WASHER φ3.8	:	N19-2105-14
K	WASHER φ4	:	N19-2058-04
L	WASHER φ3.8	:	N19-2080-14
M	WASHER φ3.5	:	N19-2028-04



Parts with the exploded numbers larger than 700 are not supplied.

KDC-CX87/CPS87

EXPLODED VIEW (UNIT)



PARTS LIST

* New Parts

Parts without **Parts No.** are not supplied.

Les articles non mentionnes dans le **Parts No.** ne sont pas fournis.

Teile ohne **Parts No.** werden nicht geliefert.

Ref. No.	A d d	N e w	Parts No.	Description	Dest inati on
KDC-CX87/CPS87					
201	3D	*	A10-4842-03	CHASSIS ASSY	M1E1
201	3D	*	A10-4844-03	CHASSIS ASSY	K1
201	3D	*	A10-4873-03	CHASSIS ASSY	K1
201	3D	*	A10-4874-03	CHASSIS ASSY	M1E1
202	1D	*	A01-2750-02	METALLIC CABINET	M1E1
202	1D	*	A01-2752-02	METALLIC CABINET	K1
202	1D	*	A01-2772-02	METALLIC CABINET	M1E1
202	1D	*	A01-2774-02	METALLIC CABINET	K1
203	1D	*	A01-2749-11	METALLIC CABINET	M1E1
203	1D	*	A01-2751-11	METALLIC CABINET	K1
203	1D	*	A01-2771-01	METALLIC CABINET	M1E1
203	1D	*	A01-2773-01	METALLIC CABINET	K1
204	3C	*	A21-3535-12	DRESSING PANEL	K1
204	3C	*	A21-3544-12	DRESSING PANEL	M1E1
205	3C	*	A21-3538-12	DRESSING PANEL	K1
205	3C	*	A21-3545-12	DRESSING PANEL	M1E1
206	2C	*	A22-2837-02	SUB PANEL	M1E1
206	2C	*	A22-2884-02	SUB PANEL	K1
207	3C	*	A64-2344-01	PANEL	K1
207	3C	*	A64-2345-01	PANEL	M1E1
208	3C	*	B10-2997-04	FRONT GLASS	M1E1
208	3C	*	B10-3076-04	FRONT GLASS	K1
209	3C	*	B43-1237-04	KENWOOD BADGE	M1E1
209	3C	*	B43-1238-04	KENWOOD BADGE	K1
211	3D	*	B58-1275-04	CAUTION CARD	
-			B46-0100-50	WARRANTY CARD	
-			B46-0182-14	ID CARD	E1
-			B46-0631-13	USER CARD	K1
-			B58-1285-04	CAUTION CARD (O-N SW)	
-		*	B64-1796-00	INST. MANUAL(ENG,FRE,SPA,POR)	K1E1
-		*	B64-1799-00	INST. MANUAL(ENG,CHI)	M1
-		*	B64-1800-00	INST. MANUAL(ARABIC)	M1
-		*	B64-1805-00	INST. MANUAL(GER,DUT,ITA)	E1
212	3D	*	D10-4515-03	ARM	
213	1C	*	D10-4516-04	LEVER	
214	1C	*	D39-0242-05	DAMPER	
215	1C	*	E30-4291-05	CORD WITH PLUG	
215	1C	*	E30-4954-05	CORD WITH PLUG	
218	2D	*	E30-4507-15	AUDIO CORD	
FC2	3D	*	E39-0393-05	FLAT CABLE	
216	1C	*	F19-1303-04	BLIND PLATE	
219	2D	*	F09-1251-05	CAP	
220	1D	*	F29-0049-05	INSULATING COVER	
-		*	H02-0834-03	INNER CARTON CASE	
-		*	H10-4750-02	POLYSTYRENE FOAMED FIXTURE	
-		*	H25-0337-04	PROTECTION BAG (180X300X0.03)	
-		*	H25-1115-04	PROTECTION BAG	
-		*	H54-1946-04	ITEM CARTON CASE	K1
-		*	H54-1949-04	ITEM CARTON CASE	M1
-		*	H54-1967-04	ITEM CARTON CASE	E1
221	1C	*	J19-4712-23	BRACKET	

Ref. No.	A d d	N e w	Parts No.	Description	Dest inati on
223	1C	*	J19-5074-02	HOLDER ASSY	
224	1C	*	J21-9588-04	MOUNTING HARDWARE ASSY	M1
225	1C	*	J69-0506-04	ADHESIVE TAPE	M1
226	1C	*	J99-0612-01	TRAY	
227	2C	*	K24-3629-04	KNOB	
228	1C	*	N99-1628-15	SCREW SET	M1
229	1C	*	N99-1645-15	SCREW SET	K1E1
A	3D	*	N09-4383-05	STEPPED SCREW	
B	1D	*	N80-3008-41	PAN HEAD TAPTITE SCREW	M1E1
B	1D	*	N80-3008-45	PAN HEAD TAPTITE SCREW	K1
C	3D	*	N09-4143-05	BINDING HEAD TAPTITE SCREW	K1
C	3D	*	N89-2606-45	BINDING HEAD TAPTITE SCREW	K1
D	2D	*	N09-4143-05	TAPTITE SCREW (2.6X6.Ni,WAX)	
ME1	2D	*	X92-4310-02	MECHANISM ASSY (CHM-1062)	
SUB-CIRCUIT UNIT (X13-9930-00)					
C1			CK73GB1H562K	CHIP C 5600PF	K
C2			CK73GB1H102K	CHIP C 1000PF	K
C3			CK73GB1C104K	CHIP C 0.10UF	K
C4			CK73GB1E473K	CHIP C 0.047UF	K
C5			C92-1389-05	ELECTRO 47UF	6.3WV
C6 ,7			CK73GB1C104K	CHIP C 0.10UF	K
C9 ,10			CK73GB1H222K	CHIP C 2200PF	K
C11			C92-1449-05	ELECTRO 100UF	16WV
C12			C92-0090-05	CHIP C 22UF	6.3WV
C13			CK73GB1H223K	CHIP C 0.022UF	K
C14			CK73GB1C104K	CHIP C 0.10UF	K
C15 ,16			C92-0090-05	CHIP C 22UF	6.3WV
CN1			E40-9450-05	FLAT CABLE CONNECTOR (16P)	
CN2			E40-9617-05	PIN ASSY (4P)	
J1 ,2			E56-0809-05	CYLINDRICAL RECEPTACLE (13P)	
X1			L78-0529-05	RESONATOR (4.19MHZ)	
R1 -16			RK73EB2B101J	CHIP R 100	J 1/8W
R18 -22			RK73GB1J101J	CHIP R 100	J 1/16W
R24 -27			RK73GB1J104J	CHIP R 100K	J 1/16W
R28			RK73GB1J102J	CHIP R 1.0K	J 1/16W
R29			RK73GB1J104J	CHIP R 100K	J 1/16W
R30 ,31			RK73GB1J102J	CHIP R 1.0K	J 1/16W
R32			RK73GB1J222J	CHIP R 2.2K	J 1/16W
R33			RK73GB1J103J	CHIP R 10K	J 1/16W
R34 ,35			RK73GB1J104J	CHIP R 100K	J 1/16W
R36			RK73GB1J101J	CHIP R 100	J 1/16W
R37			RK73GB1J104J	CHIP R 100K	J 1/16W
R38			RK73GB1J223J	CHIP R 22K	J 1/16W
R39			RK73GB1J104J	CHIP R 100K	J 1/16W
R40			RK73GB1J102J	CHIP R 1.0K	J 1/16W
R41			RK73GB1J103J	CHIP R 10K	J 1/16W
R42			RK73GB1J102J	CHIP R 1.0K	J 1/16W
R43			RK73GB1J103J	CHIP R 10K	J 1/16W
R44			RK73GB1J104J	CHIP R 100K	J 1/16W
R45			RK73EB2B102J	CHIP R 1.0K	J 1/8W
R46			RK73GB1J104J	CHIP R 100K	J 1/16W

K1: KDC-CX87

M1: KDC-CPS87

E1: KDC-CPS87

△ indicates safety critical components.

PARTS LIST

*New Parts

Parts without **Parts No.** are not supplied.

Les articles non mentionnes dans le **Parts No.** ne sont pas fournis.

Teile ohne **Parts No.** werden nicht geliefert.

SUB-CIRCUIT UNIT (X13-9930-00)

Ref. No.	Ad	New	Parts No.	Description	Dest
R47			RK73GB1J103J	CHIP R 10K J 1/16W	
R48			RK73GB1J183J	CHIP R 18K J 1/16W	
R49,50			RK73GB1J473J	CHIP R 47K J 1/16W	
R51,52			RK73GB1J104J	CHIP R 100K J 1/16W	
R53			RK73GB1J393J	CHIP R 39K J 1/16W	
K1 -4		*	S76-0812-05	MAGNETIC RELAY	
S1			S62-0857-05	SLIDE SWITCH	
D1 -6			MA3056WA	ZENER DIODE	
D7			DAP202K	DIODE	
D8 -10			DAN202U	DIODE	
D11			MA3062-L	ZENER DIODE	
D12,13			MA3056-M	ZENER DIODE	
D14			DA204U	DIODE	
D15			MA8056-M	ZENER DIODE	
D16			1SR154-400	DIODE	
IC1			UPD78058GCB82T	MI-COM IC	
IC2			PST9137NR	ANALOGUE IC	
Q1,2			DTC124EUA	DIGITAL TRANSISTOR	
Q3,4			DTB123YK	DIGITAL TRANSISTOR	
Q5,6			2SC4081	TRANSISTOR	
Q7,8			DTC124EUA	DIGITAL TRANSISTOR	
Q9			2SB1202	TRANSISTOR	
Q10			2SC4081	TRANSISTOR	
SUB-CIRCUIT UNIT (X16-1010-00)					
CN1			E40-9487-05	FLAT CABLE CONNECTOR (23P)	
CN2			E40-9536-05	FLAT CABLE CONNECTOR (16P)	
W1,2			R92-2053-05	CHIP R 0 J 1/8W	
S1,2			S74-0811-05	MICRO SWITCH	
CD PLAYER UNIT (X32-5160-00)					
C1			CK73GB1C104K	CHIP C 0.10UF K	
C2			C92-0628-05	CHIP-TAN 10UF 10WV	
C3			CK73GB1H682K	CHIP C 6800PF K	
C4			CK73GB1H152K	CHIP C 1500PF K	
C5			CC73GCH1H470J	CHIP C 47PF J	
C6			CC73GCH1H680J	CHIP C 68PF J	
C7			CC73GCH1H040C	CHIP C 4.0PF C	
C8			CC73GCH1H180J	CHIP C 18PF J	
C9			CK73GB1A224K	CHIP C 0.22UF K	
C10			CK73GB1H222K	CHIP C 2200PF K	
C11			CK73GB1H682K	CHIP C 6800PF K	
C12,13			CK73GB1H103K	CHIP C 0.010UF K	
C14,15			C92-0514-05	CHIP-TAN 2.2UF 10WV	
C16			C92-1389-05	ELECTRO 47UF 6.3WV	
C17			CK73FB1A225K	CHIP C 2.2UF K	
C18			CK73EB1A475K	CHIP C 4.7UF K	
C19			CK73FB1A225K	CHIP C 2.2UF K	
C20			CK73GB1C104K	CHIP C 0.10UF K	
C21			CK73GB1H681K	CHIP C 680PF K	
C22			C92-1389-05	ELECTRO 47UF 6.3WV	
C23			CK73EB1A475K	CHIP C 4.7UF K	
C24			CK73GB1H102K	CHIP C 1000PF K	
C25			CK73GB1H103K	CHIP C 0.010UF K	

Ref. No.	Ad	New	Parts No.	Description	Dest
C26			CK73GB1C104K	CHIP C 0.10UF K	
C29,30			CC73GCH1H120J	CHIP C 12PF J	
C31,32			C92-0628-05	CHIP-TAN 10UF 10WV	
C33			CK73GB1H222K	CHIP C 2200PF K	
C34			C92-1390-05	ELECTRO 100UF 6.3WV	
C35			CK73GB1C104K	CHIP C 0.10UF K	
C37-40			CK73GB1H331K	CHIP C 330PF K	
C41-44			CC73GCH1H680J	CHIP C 68PF J	
C45			CK73GB0J105K	CHIP C 1.0UF K	
C46,47			C92-1393-05	ELECTRO 10UF 16WV	
C48,49			CK73GB1H102K	CHIP C 1000PF K	
C52			CK73EB1A475K	CHIP C 4.7UF K	
C55			C92-0628-05	CHIP-TAN 10UF 10WV	
C56			CK73EB1A475K	CHIP C 4.7UF K	
C59			C92-1390-05	ELECTRO 100UF 6.3WV	
C60			CK73EB1A475K	CHIP C 4.7UF K	
C61			CK73GB1C104K	CHIP C 0.10UF K	
C62			C92-1392-05	ELECTRO 100UF 10WV	
C63			CK73EB1A475K	CHIP C 4.7UF K	
C64,65			C92-1388-05	ELECTRO 470UF 16WV	
C67-69			CK73GB1C104K	CHIP C 0.10UF K	
C70			CC73GCH1H101J	CHIP C 100PF J	
C71,72			CK73FB1A225K	CHIP C 2.2UF K	
C73			CK73GB1C104K	CHIP C 0.10UF K	
C85			CK73FB1A225K	CHIP C 2.2UF K	
C191			CK73GB1C104K	CHIP C 0.10UF K	
C192			CK73GB1H681K	CHIP C 680PF K	
C200-206			CK73GB1C104K	CHIP C 0.10UF K	
CN1			E40-9338-05	FLAT CABLE CONNECTOR (23P)	
CN2			E40-9404-05	FLAT CABLE CONNECTOR (16P)	
L2			L92-0322-05	CHIP FERRITE	
L3 -8			L92-0314-05	CHIP FERRITE	
X1			L77-2081-05	CRYSTAL RESONATOR (16.934MHZ)	
X2			L78-0568-05	RESONATOR (12.5MHZ)	
CP1			R90-0720-05	MULTI-COMP 100K X4	
CP3			R90-0720-05	MULTI-COMP 100K X4	
CP5,6			R90-1014-05	MULTI-COMP 100 X4	
CP7,8			R90-0720-05	MULTI-COMP 100K X4	
CP9			R90-0725-05	MULTI-COMP 1K X2	
CP10-12			R90-1014-05	MULTI-COMP 100 X4	
CP14,15			R90-0720-05	MULTI-COMP 100K X4	
CP16			R90-0724-05	MULTI-COMP 1K X4	
CP17			R90-0720-05	MULTI-COMP 100K X4	
R1			RK73GB1J102J	CHIP R 1.0K J 1/16W	
R3			RK73GB1J103J	CHIP R 10K J 1/16W	
R4			RK73GB1J391J	CHIP R 390 J 1/16W	
R5			RK73GB1J302J	CHIP R 3.0K J 1/16W	
R7			RK73GB1J302J	CHIP R 3.0K J 1/16W	
R8			RK73EB2B100J	CHIP R 10 J 1/8W	
R9			RK73GB1J102J	CHIP R 1.0K J 1/16W	
R10			RK73GB1J104J	CHIP R 100K J 1/16W	
R11-14			RK73GB1J103J	CHIP R 10K J 1/16W	
R15			RK73GB1J104J	CHIP R 100K J 1/16W	
R16			RK73GB1J562J	CHIP R 5.6K J 1/16W	

PARTS LIST

* New Parts

Parts without **Parts No.** are not supplied.

Les articles non mentionnes dans le **Parts No.** ne sont pas fournis.

Teile ohne **Parts No.** werden nicht geliefert.

CD PLAYER UNIT (X32-5160-00)

Ref. No.	A d d	N e w	Parts No.	Description	Dest inati on
R17			RK73EB2B103J	CHIP R 10K J 1/8W	
R18			RK73GB1J103J	CHIP R 10K J 1/16W	
R19			RK73GB1J333J	CHIP R 33K J 1/16W	
R20			RK73GB1J104J	CHIP R 100K J 1/16W	
R21			RK73GB1J123J	CHIP R 12K J 1/16W	
R22			RK73GB1J183J	CHIP R 18K J 1/16W	
R25			RK73GB1J113J	CHIP R 11K J 1/16W	
R26			RK73EB2B123J	CHIP R 12K J 1/8W	
R33			RK73GB1J102J	CHIP R 1.0K J 1/16W	
R37 -40			RK73GB1J362J	CHIP R 3.6K J 1/16W	
R41 -44			RK73GB1J512J	CHIP R 5.1K J 1/16W	
R45 -48			RK73GB1J123J	CHIP R 12K J 1/16W	
R49 -52			RK73GB1J562J	CHIP R 5.6K J 1/16W	
R53 ,54			RK73GB1J681J	CHIP R 680 J 1/16W	
R55			RK73GB1J122J	CHIP R 1.2K J 1/16W	
R56			RK73GB1J331J	CHIP R 330 J 1/16W	
R57 ,58			RK73GB1J223J	CHIP R 22K J 1/16W	
R59			RK73GB1J914J	CHIP R 910K J 1/16W	
R61 ,62			RK73EB2B101J	CHIP R 100 J 1/8W	
R67			RK73GB1J124J	CHIP R 120K J 1/16W	
R68			RK73EB2B124J	CHIP R 120K J 1/8W	
R69 ,70			RK73GB1J303J	CHIP R 30K J 1/16W	
R71			RK73GB1J912J	CHIP R 9.1K J 1/16W	
R72 ,73			RK73GB1J101J	CHIP R 100 J 1/16W	
R74 ,75			RK73GB1J223J	CHIP R 22K J 1/16W	
R76			RK73GB1J104J	CHIP R 100K J 1/16W	
R77			RK73GB1J183J	CHIP R 18K J 1/16W	
R78			RK73GB1J104J	CHIP R 100K J 1/16W	
R79			RK73GB1J332J	CHIP R 3.3K J 1/16W	
R80			RK73GB1J102J	CHIP R 1.0K J 1/16W	
R81			RK73GB1J103J	CHIP R 10K J 1/16W	
R82 -84			RK73GB1J102J	CHIP R 1.0K J 1/16W	
R85 -87			RK73GB1J104J	CHIP R 100K J 1/16W	
R93			RK73GB1J224J	CHIP R 220K J 1/16W	
R94			RK73GB1J472J	CHIP R 4.7K J 1/16W	
R95 ,96			RK73GB1J104J	CHIP R 100K J 1/16W	
R97 ,98			RK73GB1J103J	CHIP R 10K J 1/16W	
R99			RK73GB1J104J	CHIP R 100K J 1/16W	
R100,101			RK73GB1J102J	CHIP R 1.0K J 1/16W	
R102			RK73GB1J104J	CHIP R 100K J 1/16W	
R105,106			RK73GB1J102J	CHIP R 1.0K J 1/16W	
R107			RK73GB1J101J	CHIP R 100 J 1/16W	
R108-111			RK73GB1J104J	CHIP R 100K J 1/16W	
R112			RK73GB1J103J	CHIP R 10K J 1/16W	
R120			RK73GB1J393J	CHIP R 39K J 1/16W	
R121			RK73GB1J103J	CHIP R 10K J 1/16W	
R122,123			RK73GB1J102J	CHIP R 1.0K J 1/16W	
R124			RK73GB1J223J	CHIP R 22K J 1/16W	
R127			RK73GB1J104J	CHIP R 100K J 1/16W	
R129			RK73GB1J102J	CHIP R 1.0K J 1/16W	
R133,134			RK73GB1J104J	CHIP R 100K J 1/16W	
R135-138			RK73GB1J101J	CHIP R 100 J 1/16W	
R139-143			RK73GB1J104J	CHIP R 100K J 1/16W	
R148,149			RK73GB1J101J	CHIP R 100 J 1/16W	
R150			RK73GB1J102J	CHIP R 1.0K J 1/16W	

Ref. No.	A d d	N e w	Parts No.	Description	Dest inati on
R151			RK73GB1J471J	CHIP R 470 J 1/16W	
R152			RK73GB1J913J	CHIP R 91K J 1/16W	
R153,154			RK73GB1J472J	CHIP R 4.7K J 1/16W	
R155,156			RK73GB1J102J	CHIP R 1.0K J 1/16W	
R161			RK73GB1J163J	CHIP R 16K J 1/16W	
R162			RK73GB1J472J	CHIP R 4.7K J 1/16W	
R190			RK73GB1J223J	CHIP R 22K J 1/16W	
R191			RK73GB1J123J	CHIP R 12K J 1/16W	
R205			RK73EB2B102J	CHIP R 1.0K J 1/8W	
W2			R92-1252-05	CHIP R 0 OHM	
W5 -7			R92-1252-05	CHIP R 0 OHM	
S1			S68-0823-05	PUSH SWITCH	
S2			S70-0838-05	TACT SWITCH	
S3			S68-0823-05	PUSH SWITCH	
S4			S62-0863-05	SLIDE SWITCH	
D1			DAP202K	DIODE	
D3 ,4			MA3056-M	ZENER DIODE	
D5			MA8075-M	ZENER DIODE	
D7			MA3056-M	ZENER DIODE	
D8			MA8062-M	ZENER DIODE	
D9 ,10			M1F60	DIODE	
D11			1SR154-400	DIODE	
D12			DA204U	DIODE	
D14			MA8091-M	ZENER DIODE	
D15			DAP202K	DIODE	
D16			DAP202U	DIODE	
D21 ,22			DAN202K	DIODE	
D23 ,24			DAN202U	DIODE	
IC1		*	UPD63711AGC	MOS-IC	
IC2			NJM4580MD	ANALOGUE IC	
IC3			NJM5532MD	IC(OP AMP)	
IC4			KIA78L05F	ANALOGUE IC	
IC5		*	LA6576	ANALOGUE IC	
IC7		*	UPD784214GC091	MI-COM IC	
IC8			BR24C02F-W	MEMORY IC	
IC8		*	CAT24WC02JI	MEMORY IC	
IC8		*	M24C02WMN6T	MEMORY IC	
IC8		*	S-24C02BFJA	MEMORY IC	
IC8		*	24LC02BT-ISN	MEMORY IC	
IC9			S-80830ANNP	MOS-IC	
IC10			KKZ05F	CUSTOM IC	
IC11			LC3564BT-70	MEMORY IC	
Q1			MCH6101	TRANSISTOR	
Q4			DTA124EK	DIGITAL TRANSISTOR	
Q5			DTA124EUA	DIGITAL TRANSISTOR	
Q6 ,7			DTC343TK	DIGITAL TRANSISTOR	
Q8			DTA124EK	DIGITAL TRANSISTOR	
Q9			2SB1202	TRANSISTOR	
Q10			2SB1295	TRANSISTOR	
Q11			DTC124EK	DIGITAL TRANSISTOR	
Q12 ,13			DTC124EUA	DIGITAL TRANSISTOR	
Q14			DTA143EUA	DIGITAL TRANSISTOR	
Q16			2SC4081	TRANSISTOR	
Q17			DTA143EK	DIGITAL TRANSISTOR	

K1: KDC-CX87

M1: KDC-CPS87

E1: KDC-CPS87

△ indicates safety critical components.

KDC-CX87/CPS87

PARTS LIST

*New Parts

Parts without **Parts No.** are not supplied.

Les articles non mentionnes dans le **Parts No.** ne sont pas fournis.

Teile ohne **Parts No.** werden nicht geliefert.

CD PLAYER UNIT (X32-5160-00)

Ref. No.	A d d	N e w	Parts No.	Description	Dest inati on
Q18 ,19 Q20 Q21 Q22 Q30			DTC124EUA DTC124EK 2SB1202 2SC4081 DTC114YUA	DIGITAL TRANSISTOR DIGITAL TRANSISTOR TRANSISTOR TRANSISTOR DIGITAL TRANSISTOR	
Q31 TH1			DTC124EUA NTH5G20B33K07	DIGITAL TRANSISTOR THERMISTOR	
MECHANISM ASSY (X92-4310-02)					
1	2B	*	A10-4745-03	CHASSIS ASSY	
2	2B	*	A10-4748-02	CHASSIS CALKING ASSY	
3	2B	*	A10-4751-03	CHASSIS CALKING ASSY	
4	3A	*	A10-4754-04	CHASSIS CALKING ASSY	
5	2A	*	A10-4757-02	CHASSIS CALKING ASSY	
6	2A	*	A10-4759-02	CHASSIS	
7	1A	*	A10-4760-02	CHASSIS CALKING ASSY	
C75	3A		C90-2945-05	ELECTRO 0.047F 5.5WV	
11	2B		D10-4293-03	ARM	
12	2A	*	D10-4527-03	SLIDER	
13	2B	*	D10-4528-03	ARM	
14	2B	*	D10-4529-03	LEVER	
15	3A	*	D10-4531-04	LEVER ASSY	
16	2A	*	D10-4533-03	LEVER	
17	2A	*	D10-4534-04	SLIDER ASSY	
18	1B	*	D10-4536-13	SLIDER	
19	3A	*	D10-4537-04	SLIDER ASSY	
20	1B	*	D10-4540-13	ARM	
21	1B	*	D10-4547-03	LEVER	
22	2B	*	D12-0630-02	CAM	
23	2B	*	D12-0631-02	CAM	
24	3B	*	D13-2185-04	GEAR	
25	3B	*	D13-2186-04	GEAR	
26	3B	*	D13-2187-04	GEAR	
27	3A	*	D13-2188-04	WORM	
28	2B	*	D13-2092-04	GEAR	
29	2B	*	D13-2093-04	GEAR ASSY	
30	2B	*	D13-2095-04	GEAR	
31	2B	*	D13-2096-04	GEAR	
32	3A	*	D13-2099-04	GEAR	
33	3A	*	D13-2100-04	GEAR	
34	3A	*	D13-2101-04	GEAR	
35	3A	*	D13-2102-04	GEAR	
36	3A	*	D13-2103-04	GEAR	
37	3A	*	D13-2104-04	GEAR	
38	3B	*	D19-0636-04	LEAD SCREW	
39	3A	*	D19-0637-04	CLUTCH ASSY	
40	3A		D39-0225-05	DAMPER	
FC1	3A		E39-0172-15	FLAT CABLE (23P)	
45	3B	*	F09-1645-04	SHEET	
46	2B	*	G01-3036-04	TORSION COIL SPRING	
47	1B	*	G01-3037-04	EXTENSION SPRING	
48	2B	*	G01-3038-04	TORSION COIL SPRING	
49	3A	*	G01-3039-04	COMPRESSION SPRING	

Ref. No.	A d d	N e w	Parts No.	Description	Dest inati on
50	3A	*	G01-3040-04	EXTENSION SPRING	
51	3A	*	G01-3041-04	EXTENSION SPRING	
52	1B	*	G01-3042-04	TORSION COIL SPRING	
53	2A	*	G01-3043-04	TORSION COIL SPRING	
54	1B	*	G01-3044-04	EXTENSION SPRING	
55	2A	*	G01-3045-04	EXTENSION SPRING (BLACK)	
56	2A	*	G01-3046-04	EXTENSION SPRING (SILVER)	
57	3B	*	G02-1374-04	FLAT SPRING	
58	3B	*	G02-1375-03	FLAT SPRING	
59	2B	*	G02-1376-03	FLAT SPRING	
61	2B	*	G02-1378-04	FLAT SPRING	
62	3A	*	G02-1380-04	FLAT SPRING	
63	2A	*	G10-1045-14	FELT	
68	2B	*	J11-0637-03	CLAMPER	
69	3B	*	J21-9592-04	MOUNTING HARDWARE	
70	1B	*	J21-9595-03	MOUNTING HARDWARE	
73	2B		J90-0759-03	GUIDE	
74	2A		J90-0760-03	RAIL	
75	2B		J90-0777-23	GUIDE	
FPC1	3B		J84-0099-05	FLEXIBLE PRINTED WIRING BOARD	
A	2A		N09-4126-05	MACHINE SCREW (2X3.5 C BLK)	
B	3A		N09-4288-05	TAPTITE SCREW (2X2.5 S)	
C	3A		N86-2005-46	BINDING HEAD TAPTITE SCREW	
D	2B		N09-4189-05	TAPTITE SCREW (1.7X1.5 S blk)	
E	3B		N09-4154-05	TAPTITE SCREW (2x6 P)	
F	2B		N09-4181-05	MACHINE SCREW (M1.7X3 LOCK)	
G	3B		N39-1722-46	PAN HEAD MACHIN SCREW	
H	1A		N09-4349-05	TAPTITE SCREW (2X3.5 S)	
J	3A		N19-2105-14	FLAT WASHER (1.55X3.8X0.35)	
K	3A		N19-2058-04	FLAT WASHER (1.6X4X0.25)	
L	1B		N19-2080-14	FLAT WASHER (1.55X3.8X0.3)	
M	2B		N19-2028-04	FLAT WASHER (1.6X3.5X0.25)	
76	3A	*	R33-0207-05	SLIDE TYPE VARIABLE R. (10K B)	
M1			T42-0797-04	MOTOR ASSY	
M2 ,3 PU1	3A		T42-0788-05	DC MOTOR	
	3B	*	T25-0105-05	OPTICAL PICKUP HEAD	
Q15	3A		2SB1565(E,F)	TRANSISTOR	

K1: KDC-CX87

M1: KDC-CPS87

E1: KDC-CPS87

MEMO

KDC-CX87/CPS87

SPECIFICATIONS

Disc section

Laser Diode	GaAlAs ($\lambda=780\text{nm}$)
Digital Filter	8 Times Over Sampling
D/A Converter	1Bit
Spindle Speed	500rpm~200rpm (CLV)
Wow & Flutter	Below Measurable Limit
Frequency Response	5Hz~20kHz ($\pm 1\text{dB}$)
Total Harmonic Distortion	0.005% (1kHz)
S/N Ratio	110dB
Dynamic Range	96dB
Channel Separation	96dB

Auxiliary input section

Maximum Input level	1400mV
---------------------------	--------

General

Operating Voltage	14.4V (11V~16V)
Current Consumption	0.8A
Installation size	250(W) \times 80 (H) \times 202 (D)mm 9-13/16(W) \times 3-1/8(H) \times 7-15/16(D)inch
Weight	2.3kg (5.1lbs)

KENWOOD follows a policy of continuous advancements in development. For this reason specifications may be changed without notice.

KENWOOD CORPORATION

14-6, Dogenzaka 1-chome, Shibuya-ku, Tokyo 150-8501 Japan

KENWOOD SERVICE CORPORATION

P.O. BOX 22745, 2201 East Dominguez Street, Long Beach, CA90801-5745, U.S.A.

KENWOOD ELECTRONICS CANADA INC.

6070 Kestrel Road, Mississauga, Ontario, Canada L5T 1S8

KENWOOD ELECTRONICS LATIN AMERICA S.A.

P.O. Box 55-2791 Paitilla, Plaza Credicorp Bank Panama,
Piso 9, Oficina 901, Calle 50, Panama, Rep. de Panama

KENWOOD ELECTRONICS BRASIL LTDA.

Av. Moema, 170-17, Andar-Cobertura "B", Ed. Maximum Service Center, 04077-020
Moema, São Paulo-SP-Brasil

KENWOOD ELECTRONICS UK LIMITED

Kenwood House, Dwight Road, Watford, Herts, WD1 8EB, United Kingdom

KENWOOD ELECTRONICS DEUTSCHLAND GMBH

Rembrücker-Str. 15, 63150 Heusenstamm, Germany

KENWOOD ELECTRONICS FRANCE S.A.

13, Boulevard Ney, 75018 Paris, France

KENWOOD ELECTRONICS BELGIUM N.V.

Mechelsesteenweg 418, B-1930 Zaventem, Belgium

KENWOOD ELECTRONICS ITALIA S.p.A.

Via G. Sirtori 7/9, 20129 Milano, Italy

KENWOOD IBÉRICA S.A.

Bolivia, 239-08020 Barcelona, Spain

KENWOOD ELECTRONICS AUSTRALIA PTY. LTD. (A.C.N. 001 499 074)

16 Giffnock Avenue, Centrecourt Estate, North Ryde,
N.S.W. 2113, Australia

KENWOOD ELECTRONICS (HONG KONG) LTD.

Unit 3712-3724, Level 37, Tower 1, Metroplaza, 223 Hing Fong Road, Kwai Fong, N.T.,
Hong Kong

KENWOOD ELECTRONICS GULF FZE

P.O. Box 61318, Jebel Ali, Dubai, U.A.E.

KENWOOD ELECTRONICS (THAILAND) CO., LTD.

2019 New Pechburi Road, Bangkok, Huaykwang, Bangkok, 10320 Thailand

KENWOOD ELECTRONICS SINGAPORE PTE. LTD.

1 Genting Lane, #07-00, Kenwood Building, Singapore, 349544

KENWOOD ELECTRONICS (MALAYSIA) SDN BHD

#4.01 Level 4, Wisma Academy Lot 4A, Jalan 19/1, 46300 Petaling Jaya, Selangor Darul Ehsan,
Malaysia